



**CAA**

**GEAR UP**

**2018**



MICRO  
**RONI**  
When speed and accuracy matter



## → INDEX

---

<b>01</b>	<b>UPGRADE KITS</b>	AR15; M4; AK47; Pistol Carbine Conversion	<b>p. 08</b>
<b>02</b>	<b>RONI</b>	Pistol Carbine Conversion	<b>p. 14</b>
<b>03</b>	<b>PICATINNY RAILS &amp; RAIL SYSTEMS</b>	AR15; M16; M4; AK47/74; VZ58; MP5; Remington 870, Mossberg 500; Pistols	<b>p. 25</b>
<b>04</b>	<b>STOCKS, TUBES &amp; ACCESSORIES</b>	AR15; M16; M4; AK47/74; Remington 870, Mossberg 500	<b>p. 38</b>
<b>05</b>	<b>MAGAZINES &amp; COUPLERS</b>	AR15; M16; M4; AK47; SAIGA; MP5; UZI	<b>p. 51</b>
<b>06</b>	<b>FOREARM &amp; PISTOL GRIPS</b>	AR15; M16; M4; AK47/74; Picatinny Rails	<b>p. 61</b>
<b>07</b>	<b>SIGHTS &amp; ACCESSORIES</b>	Picatinny Rails	<b>p. 68</b>
<b>08</b>	<b>FLASHLIGHTS/LASER &amp; ACCESSORIES</b>	Picatinny Rails; Sling Mounts	<b>p. 72</b>
<b>09</b>	<b>BIPODS</b>	Bipods for Picatinny Rails	<b>p. 80</b>
<b>10</b>	<b>HOLSTERS</b>	Pistols	<b>p. 82</b>
<b>11</b>	<b>MISCELLANEOUS</b>	Pistols	<b>p. 88</b>

---



## COMPANY PROFILE

CAA was founded in 2004 by Mr. Mose Oz who is the President and Co-Owner of CAA and Hartman LTD. Mose Oz has decades of tactical warfare experience as a former Special Forces Operator. Mose is the "brain" behind and responsible for development and manufacturing of the entire CAA Line. Mose also designed and developed the world renowned "RONI", the pistol to carbine conversion system, named after his daughter.

We at CAA are professional shooters, with over a centuries of Military Service between us. Our diverse team consists of some of the most knowledgeable firearms trainers in the world, with weapon know-how second to none. Our team continues developing and producing advanced battle-tested firearm accessories to withstand the rigors of real life combat conditions, and to give our users a tactical and survival advantage.

Our 14 years of experience in various complex combat scenarios, as well as in extended operational training, gives CAA that valuable knowledge which is then carefully implemented into each and every combat-gear we design and produce. So next time you get a hold of one of CAA's combat-gear, you can rest assured it is not just another assault rifle accessory or a submachine upgrade – It is CAA!

We at CAA USA have brought 2 ground breaking new products that have hit the American market by storm. With over 30 million combined views on social media. The Micro RONI and Micro RONI Stab (Stabilizer) are the most compact pistol-to-carbine conversion kits ever produced and by far the most cost effective conversion kit. The Micro RONI Stab requires no NFA paperwork and best of all no wait.

CAA sister company Hartman LTD, is the designer manufacturer of the MH1 Reflex sight. The MH1 is the most advanced reflex sight in the world.

Both Micro RONI and the MH1 contributed to CAA/Hartman winning the Media Award for Most Innovative Product at the Big 3 East in Daytona Beach, FL. in April 2016.

We thank you for your loyalty and continued faith in CAA, and very much look forward to serving you in the future.

GEAR UP.

Stay safe,

**LTC (Ret) Mikey Hartman**  
**C.E.O**

**Founder and former 20 years commander of the IDF sharpshooting and marksmanship school.**



# COMING SOON



Colors: 

## **MICRO RONI**

### **Micro Pistol Carbine Conversion (G4)**

NEW MODELS COMING SOON. Generation 4 of the Roni platform. Now has non-removeable charging handle

**PART #:** MIC-RONIG4 - For Glocks 17, 19, 22, 23, 31, 32

**PART #:** MIC-RONI21 - For Glocks 20, 21

**PART #:** MIC-RONI-SW - For Smith & Wesson M&P Standard 2.0 and 2.0 Compact (9mm / .40)

**PART #:** MIC-RONI-P320 - For Sig Sauer P320

**COMING SOON**



Colors: 

## **MICRO RONI STABILIZER GENERATION 4**

### **Micro Pistol Stabilizer Conversion (G4)**

Longer Stock for Stabilizer and non-removeable charging handle

**PART #:** MIC-RONIG4STAB Fits: For Glocks 17, 19, 22, 23, 31, 32

**PART #:** MIC-RONIG4-STAB21 - For Glocks 20, 21

**PART #:** MIC-RONIG4-STAB-SW - For Smith & Wesson M&P Standard 2.0 and 2.0 Compact (9mm / .40)

**PART #:** MIC-RONI-P320 - For Sig Sauer P320

**COMING SOON**



# NEW PRODUCTS



## **PLS1Q-GP**

### **Flashlight Mount for Glock**

Underbarrel flashlight for Glock pistols

**COMING SOON**



## **FS2 / RS2**

### **Front & Rear Sights**

Polymer front & rear sights

**COMING SOON**



## **COS**

### **Reflex Optic**

CAA's Reflex Optic

**COMING SOON**



## **MRH**

### **Micro Roni Holster**

Holster for the Micro Roni platform

Fits: Micro Roni platform

**COMING SOON**

**UPGRADE**

**AIDED**

**OPTI**

**ONS**

**10—UPGRADE OPTIONS**



**CAA**




---

**→ STANDARD - MICRO RONI**

No	Item	Description	Page
01	MIC-RONI	Micro-RONI	14

---

**→ ADVANCED UPGRADE FOR MICRO RONI**

No	Item	Description	Page
01	MIC-RONI	Micro-RONI	14
02	THR	Thumb Rests	21
04	FFS+FRS	Flip-Up Sights	74
05	OPS+PBSS	Sling & Swivel	81-82
03	MRFL	Flashlight	22

---

**→ PRO UPGRADE FOR MICRO RONI**

No	Item	Description	Page
01	MIC-RONI	Micro-RONI	14
02	THR	Thumb Rests	22
04	FFS+FRS	Flip-Up Sights	74
05	OPS+PBSS	Sling & Swivel	81-82
03	MRFL	Flashlight	22
06	MRC	Polymer Suitcase	22

NON NFA ITEM NO TAX STAMP NEEDED



→ STANDARD - MICRO RONI STABILIZER

No	Item	Description	Page
01	MIC-RONI	Micro RONI Stabilizer	14

→ ADVANCED UPGRADE FOR MICRO RONI STABILIZER

No	Item	Description	Page
01	MIC-RONI	Micro RONI Stabilizer	14
02	THR	Thumb Rests	22
04	FFS+FRS	Flip-Up Sights	74
05	OPS+PBSS	Sling & Swivel	81-82
03	MRFL	Flashlight	22

→ PRO UPGRADE FOR MICRO RONI STABILIZER

No	Item	Description	Page
01	MIC-RONI	Micro RONI Stabilizer	14
02	THR	Thumb Rests	22
04	FFS+FRS	Flip-Up Sights	74
05	OPS+PBSS	Sling & Swivel	81-82
03	MRFL	Flashlight	22
06	MRC	Polymer Suitcase	22



→ BASIC UPGRADE FOR AR15/M4

No	Item	Description	Page
01	M4S1	Picatinny Hand guard	27
05	MAG17	Magazine w/ Window	55
11	G16	Pistol Grip	70
12	MVG	Forearm Grip	66
02	SBS	Skeletonized Buttstock	39

→ ADVANCED UPGRADE FOR AR15/M4

No	Item	Description	Page
01	M4S1	Picatinny Hand guard	27
03	OPSPMP	Sling Swivel	81
05	MAG17	Magazine w/ Window	55
04	UPG16	Pistol Grip	69
10	TVG1	Forearm Grip	66
09	CBSCP	Stock & Adjustable Rest	41

→ PRO UPGRADE FOR AR15/M4

No	Item	Description	Page
14	X4MS	Picatinny Hand guard	26
03	OPSPMP	Sling Swivel	81
15	CDMAG	Countdown Magazine	55
04	UPG16	Pistol Grip	69
07	PLS1	Flashlight Mount	78
08	TC3	Flashlight	76
09	CBSCP	Stock & Adjustable Rest	41



## → BASIC UPGRADE FOR AK47/AK74

No	Item	Description	Page
16	RS47-SET	Picatinny Hand guard	29
15	PLS1	Flashlight Mount	78
11	MC47N	Magazine Coupler	62
13	EVG	Ergonomic Forearm Vertical Grip	66
10	G47	Pistol Grip	70

## → ADVANCED UPGRADE FOR AK47/AK74

No	Item	Description	Page
17	XRS47-SET	Picatinny Hand guard	28
15	PLS1	Flashlight Mount	78
06	AKMAG	AK Magazine	54
14	TVG1	Forearm Grip	66
04	UPG47	Pistol Grip	69
02	AK TUBE	Buffer Tube	46
03	CBSCP	Stock & Adjustable Rest	41
05	AKMR	Magazine Release Extension	62

## → PRO UPGRADE FOR AK47/AK74

No	Item	Description	Page
01	XRS74YG	Picatinny Hand guard	31
08	UFH3	Flashlight Mount	77
09	TC3	Flashlight	76
04	UPG47	Pistol Grip	69
12	MCD47N	Magazine Coupler	61
06	AKMAG	AK Magazine	58
03	CBSCP	Stock & Adjustable Rest	41
02	AK TUBE	Buffer Tube	46
05	AKMR	Magazine Release Extension	62

Before



- Available in Non NFA Stabilizer Version

→ STANDARD RONI

No	Item	Description	Page
01	RONI	Carbine Conversion	15

→ ADVANCED UPGRADE FOR RONI

No	Item	Description	Page
01	RONI	Carbine Conversion	15
02	FFS	Front Flip-Up Sight	74
03	FRS	Rear Flip-Up Sight	74
04	PBSS	Sling Swivel	81
05	OPS	One Point Sling	82
10	ROCASE	RONI Case	20
07	PLS1Q	Light & Laser Mount	78
08	TC1	Flashlight	76
06	RBCF	Brass Catcher	20

→ PRO UPGRADE FOR RONI

No	Item	Description	Page
01	RONI	Carbine Conversion	15
02	FFS	Front Flip-Up Sight	74
03	FRS	Rear Flip-Up Sight	74
04	PBSS	Sling Swivel	81
05	OPS	One Point Sling	82
06	ROCASE	RONI Case	20
07	PLS1Q	Light & Laser Mount	78
08	TC1	Flashlight	76
06	RBCF	Brass Catcher	20
09	MH1	Hartman Reflex Sight	73



01—  
RONI  
THE  
PISTOL  
CARBINE  
CONVERSION



**CAA**

**BEST SELLER**



MIL-SPEC | 10 YEAR WARRANTY | NO GUNSMITHING REQUIRED | ALL NFA RULES APPLY

<p><b>Part #:</b> MIC-RONI17  <b>Fits:</b> Glock®17, 22, 23  <b>Made Of:</b> Poly+Alum</p>	<p><b>Number Of Rails:</b> 3  <b>Weight (oz):</b> 49.38  <b>Height Max (in):</b> 6.1"</p>	<p><b>Length Extend (in):</b> 22.3"  <b>Length Collapse (in):</b> 13.7"  <b>Width Max (in):</b> 2.5"</p>	<p><b>Colors:</b> <input type="checkbox"/> <input checked="" type="checkbox"/> <input type="checkbox"/> <input type="checkbox"/> <input type="checkbox"/></p>
<p><b>Part #:</b> MIC-RONI19  <b>Fits:</b> Glock®19, 23, 32  <b>Made Of:</b> Poly+Alum</p>	<p><b>Number Of Rails:</b> 3  <b>Weight (oz):</b> 49.38  <b>Height Max (in):</b> 6.1"</p>	<p><b>Length Max (in):</b> 13.7"  <b>Width Max (in):</b> 2.5"</p>	<p><b>Colors:</b> <input type="checkbox"/> <input checked="" type="checkbox"/> <input type="checkbox"/> <input type="checkbox"/> <input type="checkbox"/></p>

**MIC-RONI**

**Micro RONI (G3) Pistol Carbine Conversion Kit**

The third generation (G3) to our line of pistol to carbine conversion kits line. This side folding RONI® is extremely compact, lightweight and sturdy platform for your Glock®17/19 pistol.

**COMING SOON**

**PART #:** MIC-RONI21 - For Glock® 21, 20  
**PART #:** MIC-RONI226 - For Sig Sauer® 226 w/ Rail  
**PART #:** MIC-RONI-SW - For Smith & Wesson® M&P Standard 9/.40

- No pistol disassembly required – Just drop it into the kit and lock within seconds.
- A Picatinny rail – Allows room for two sighting devices (i.e. Red dot with magnifier or NVG)
- Two 2.5" side Picatinny rails for mounting additional accessories.
- Ambidextrous, easy and super-fast charging handle. (Optional: Select fire ambidextrous charging handle)
- Ambidextrous trigger-guard safety.
- A right-folding stock for easy concealment and carry. Pistol can be operated (grip, cock and shoot) with a folded stock.
- Right and left serrated thumb-rests for better control on recoil and muzzle-rise. (optional)
- Forward mounted extra magazine holder.
- Integral forward flashlight mount.



NON NFA ITEM NO TAX STAMP NEEDED BEST SELLER



**MICRO RONI STABILIZER**

**Micro RONI Stabilizer**

Micro RONI with SB® Tactical's Stabilizer® Brace. This design enables one handed firing of the Micro RONI Recon by attaching to the operator's forearm providing stable support while minimizing accuracy-robbing spin and shift. The Micro RONI-STAB will improve single handed shooting performance, enhance accuracy and reduce felt recoil. The flexible cuff with adjustable nylon and hook & loop fastener provides a custom fit for any user. Originally designed for wounded warriors and others with a disability or otherwise incapable of holding a firearm, this design has found favor among all shooters, in addition to differently abled users who cherish their gun rights. RONI-STAB is constructed from high quality elasto-polymers to exacting tolerances.. An extremely compact, lightweight and sturdy platform for your Glock® 17/19 pistol.

- Equipped with a right-folding stabilizing brace, instead of the original folding stock.
- Brace is firmly fastened on user's forearm with an adjustable nylon strap.
- Provides stability and enhances performance during single-handed shooting.
- No pistol disassembly required – Just drop it into the kit and lock within seconds.
- 9" Top Picatinny rail – provides room for two sighting devices [i.e. Red dot with magnifier or NVG]
- Two side Picatinny rails for mounting additional accessories.
- Ambidextrous, easy and super-fast charging handle.
- Ambidextrous trigger-guard safety.
- Right and left serrated thumb-rests for better control on recoil and muzzle-rise. (optional)
- Integral forward flashlight mount. (optional)

**Warning:** The addition of a stock and or forward grip to any MICRO RONI® Stabilizer would convert it into an NFA controlled Short Barrel Rifle (SBR) or Any Other Weapon (AOW)

MIL-SPEC | 10 YEAR WARRANTY | NO GUNSMITHING REQUIRED | NO NFA RULES APPLY

<b>Part #:</b> MIC-RONI-STAB17	<b>Number Of Rails:</b> 3	<b>Length Extend (in):</b> 19.25"	<b>Colors:</b> <input type="checkbox"/> <input type="checkbox"/> <input type="checkbox"/> <input type="checkbox"/>
<b>Fits:</b> Glock® 17, 22, 23	<b>Weight (oz):</b> 32.6	<b>Length Collapse (in):</b> 15"	
<b>Made Of:</b> Poly+Alum	<b>Height Max (in):</b> 5.75"	<b>Width Max (in):</b> 2.25"	

<b>Part #:</b> MIC-RONI-STAB19	<b>Number Of Rails:</b> 3	<b>Length Extend (in):</b> 19.25"	<b>Colors:</b> <input type="checkbox"/> <input type="checkbox"/> <input type="checkbox"/> <input type="checkbox"/>
<b>Fits:</b> Glock® 19, 23, 32	<b>Weight (oz):</b> 32.6	<b>Length Collapse (in):</b> 15"	
<b>Made Of:</b> Poly+Alum	<b>Height Max (in):</b> 5.75"	<b>Width Max (in):</b> 2.25"	





**NON NFA ITEM NO TAX STAMP NEEDED**

**Warning:** The addition of a stock and or forward grip to any RONI® Stabilizer would convert it into an NFA controlled Short Barrel Rifle (SBR) or Any Other Weapon (AOW)

MIL-SPEC | 10 YEAR WARRANTY | NO GUNSMITHING REQUIRED | ALL NFA RULES APPLY

Part #: RONI	Number Of Rails: 4	Length Extend (in): 22.4"	Colors: <span style="display: inline-block; width: 10px; height: 10px; background-color: black;"></span> <span style="display: inline-block; width: 10px; height: 10px; background-color: olive;"></span> <span style="display: inline-block; width: 10px; height: 10px; background-color: orange;"></span>
Fits: See Page 19	Weight (oz): 49.38	Length Collapse (in): 18.5"	
Made Of: Polymer+Alum	Height Max (in): 5.5"	Width Max (in): 2.5"	

MIL-SPEC | 10 YEAR WARRANTY | NO GUNSMITHING REQUIRED | NO NFA RULES APPLY

Part #: RONI-STAB	Number Of Rails: 3	Length Collapse (in): 22"	Colors: <span style="display: inline-block; width: 10px; height: 10px; background-color: black;"></span> <span style="display: inline-block; width: 10px; height: 10px; background-color: olive;"></span> <span style="display: inline-block; width: 10px; height: 10px; background-color: orange;"></span>
Fits: See Page 19	Weight (oz): 49.4	Width Max (in): 2.5"	
Made Of: Poly+Alum	Height Max (in): 6.3"		

**RONI Series (Generation 2)  
Pistol Carbine Conversion**

The RONI (patented) provides a better grip, stability and platform for many accessories. With the RONI your pistol has a greater range, faster aiming, better accuracy.

- Increased accuracy to 80 yards and beyond
- Converts a pistol to an accurate carbine in 6 seconds without pistol disassembly or modification
- Eliminates muzzle rise
- No need to carry both rifle and pistol ammunition
- 9.4" aluminum top rail and aluminum stock shaft provide an aluminum backbone combined with a polymer body to create a strong, durable, and lightweight system
- Two 2.25" side rails provide mounting points for lights, lasers, and more
- A fourth Picatinny rail under the barrel extension
- Trigger guard on many models increases safety
- 4 single point sling mounts
- Designed for Special Forces and SWAT units, perfect for Motorcycle Officers and School Resource Officers
- Fiscally responsible
- Hinged polymer and aluminum carbine frame
- Secured assembly with two locking pins
- 5 position collapsible stock, with adjustable cheekpiece
- Spare magazine holder on collapsible stock
- Barrel shroud can be removed from the stock and replaced with up to 1.3" diameter suppressor
- Two position detachable folding forward grip
- Optional brass catcher and folding flip up sights
- Equipped with a right-folding stabilizing brace, instead of the original folding stock.
- Brace is firmly fastened on user's forearm with an adjustable nylon strap.
- Provides stability and enhances performance during single-handed shooting.



NON NFA ITEM NO TAX STAMP NEEDED



**Warning:** The addition of a stock and/or forward grip to any MICRO RONI® Recon or RONI® Recib would convert it into an NFA controlled Short Barrel Rifle (SBR) or Any Other Weapon (AOW)

MIL-SPEC | 10 YEAR WARRANTY | NO GUNSMITHING REQUIRED | NO NFA RULES APPLY

Part #: MIC-RONIR	Weight (oz): 42.7	Length Max (in): 16.5"	Colors: ■
Made Of: Polymer+Alum	Height Max (in): 5"	Width Max (in): 2.5"	
Number Of Rails: 4			

Part #: RONIR	Weight (oz): 42.7	Length Max (in): 16.5"	Colors: ■
Made Of: Polymer+Alum	Height Max (in): 5"	Width Max (in): 2.5"	
Number Of Rails: 4			

**MICRO RONI RECON / RONI RECON****Short Pistol Carbine Conversion**

All the RONI advantages without NFA requirements.

- Converts pistol in 5 seconds without pistol disassembly or modification
- 9.4" aluminum top rail and stock shaft provide an aluminum backbone combined with a polymer body to create a strong, durable, and lightweight system
- Two 2.25" side rails for mounting points for lights, lasers, and more
- Designed for Special Forces and SWAT units

**Warning:** the addition of a forward grip to the RONI RECON results in the manufacture of an "Any Other Weapon" (AOW) and is subject to NFA rules. **Warning:** the addition of a stock to the RONI RECON results in the manufacture of a Short Barrel Rifle (SBR) and is subject to NFA Rules.

NON NFA ITEM NO TAX STAMP NEEDED



MIL-SPEC | 10 YEAR WARRANTY | NO GUNSMITHING REQUIRED | NO NFA RULES APPLY

Part #: RONI-C-G2	Number Of Rails: 4	Length Extend (in): 30.3"	Colors: ■
Fits: Glock® 17	Weight (oz): 56.79	Length Collapse (in): 27.2"	
Made Of: Polymer+Alum	Height Max (in): 5.5"	Width Max (in): 2.5"	

**RONI CIVILIAN****Pistol Carbine Conversion with 16" BBL**

Our new RONI-C-G2 has a sleek "Bull-Pup" look and includes all the great features of our original RONI without the NFA paperwork. Extend for range and accuracy.

- Includes 16" barrel
- Collapsible buttstock with adjustable cheekpiece
- 10" upper flattop Picatinny rail – allows combinations of iron sights, magnifier, red/green dot sights, or night vision
- Two additional 5" Picatinny side rails for lights and lasers
- Includes detachable folding forearm grip on bottom
- Magazine holder on buttstock
- Unique trigger guard for additional safety when moving tactically
- Four mounting points for our Sling Swivel (PBSS), and our One Point Slings (OPS or OPS1)
- Optional flip-up Backup sights (FRS/FFS)
- For Glock 17 9mm using 124 gr. +P ammo



**RONI SBS/CBS**

**Pistol Carbine Conversion with M4 Stocks**

RONI just became better with new M4 style stocks. Select the RONI with either a SBS or CBS AR15/M4 carbine stock. These stocks are lightweight and designed for fast shouldering providing a greater range, faster aiming, better accuracy.

- Includes either SBS or CBS stock
- 6 collapsible positions – Accepts all M4 carbine type stocks
- Ideal for AR/M4 enthusiasts
- Available for all RONI models
- Long length of pull for large frame operators

MIL-SPEC | 10 YEAR WARRANTY | NO GUNSMITHING REQUIRED | ALL NFA RULES APPLY

<b>Part #:</b> RONI-SBS	<b>Made Of:</b> Polymer+Alum	<b>Height Max (in):</b> 5.5"	<b>Width Max (in):</b> 2.5"
<b>Fits:</b> Glock® 17, 18, 19, 22, 23, 25, 31, 32	<b>Number Of Rails:</b> 4	<b>Length Extend (in):</b> 27.7"	<b>Colors:</b> <span style="display: inline-block; width: 10px; height: 10px; background-color: black;"></span> <span style="display: inline-block; width: 10px; height: 10px; background-color: #4b6121;"></span> <span style="display: inline-block; width: 10px; height: 10px; background-color: #c48e4a;"></span>
	<b>Weight (oz):</b> 51.8	<b>Length Collapse (in):</b> 24.4"	

<b>Part #:</b> RONI-CBS	<b>Made Of:</b> Polymer+Alum	<b>Height Max (in):</b> 5.5"	<b>Width Max (in):</b> 2.5"
<b>Fits:</b> Glock® 17, 18, 19, 22, 23, 25, 31, 32	<b>Number Of Rails:</b> 4	<b>Length Extend (in):</b> 27.7"	<b>Colors:</b> <span style="display: inline-block; width: 10px; height: 10px; background-color: black;"></span> <span style="display: inline-block; width: 10px; height: 10px; background-color: #4b6121;"></span> <span style="display: inline-block; width: 10px; height: 10px; background-color: #c48e4a;"></span>
	<b>Weight (oz):</b> 59.4	<b>Length Collapse (in):</b> 24.4"	





**RONI**  
**For Glock®**  
 PART #: RONI-G2-9 17, 18, 19, 22, 23, 25, 31, 32  
 PART #: RONI-G2-10 20, 21  
 PART #: RONI-G2-26 26, 27  
 PART #: RONI-G2-34 34, 35  
 \* Fits C models  
 \*\* Fits Glock® generation 3+4  
 \*\*\* Fits Glock® generation 3



**RONI**  
**For H&K®**  
 PART #: RONI-HK1 USP9 9mm, .40  
  
 Requires pistol's integrated bottom rail



**RONI**  
**For Beretta®**  
 PART #: RONI-BI92, Italian Made - FS92, M9  
 PART #: RONI-BA92, USA Made - FS92, M9



**RONI**  
**For Springfield® XD**  
 PART #: RONI-SP1 4" Barrel 9mm, .40



**RONI**  
**For Sig Sauer®**  
 PART #: RONI-SI1 226 9mm, .40  
 PART #: RONI-SI2 2022 9mm, .40  
  
 Requires pistol's integrated bottom rail



**RONI**  
**For Bul Cherokee®**  
 PART #: RONI-BUL1 9mm  
 Standard & Compact



**RONI**  
**For Bersa® Thunder**  
 PART #: RONI-BS1 9mm, .40 (3")  
 PART #: RONI-BS2 Thunder 9mm, .40 (4")



**RONI**  
**For Armscor®/ Rock Island Amory®**  
 PART #: RONI-TCM22, TCM22, M1911, A2, FS





ROCASE

MIL-SPEC | 10 YEAR WARRANTY | NO GUNSMITHING REQUIRED

Part #: ROCASE

Made Of: Polymer+Foam

Weight (oz): 64

Height Max (in): 4.5"

Length Max (in): 23"

Width Max (in): 13"

Colors: ■

**ROCASE****Foam Lined Hard Case**

This super rugged polymer case embossed with the RONI name & logo, has room to hold the RONI and all necessary accessories, securely protected inside the egg crate foam lined interior.

- Hinged lid with two latches
- Two outside holes for security locks
- Carry handle
- Doesn't fit the RONI Civilian



ROBAG

MIL-SPEC | 10 YEAR WARRANTY | NO GUNSMITHING REQUIRED

Part #: ROBAG

Fits: RONI

Made Of: Cordura

Weight (oz): 19.5

Height Max (in): 3.5"

Length Max (in): 20"

Width Max (in): 10"

Colors: ■

**ROBAG****RONI Tactical Deployment Bag**

Shoulder carry case with easy access

- Dual zippers with single pull tab for quick and easy access
- Single strap design allows for both cross body or single shoulder carry
- Three inch wide padded strap with quick release snaps spreads the weight reducing fatigue
- Doesn't fit the RONI Civilian



RBCF

MIL-SPEC | 10 YEAR WARRANTY | NO GUNSMITHING REQUIRED

Part #: RBCF

Fits: RONI or RON-STAB

Made Of: Cordura

Weight (oz): 3.2

Height Max (in): 6"

Length Max (in): 30.3"

Width Max (in): 5"

Colors: ■

**RBCF****RONI Brass Catcher**

The RONI brass catcher fits all RONI models, except 1st generation RONI Glock® models.

- Hinged door with a magnetic latch for easy access to pistol ejection port
- Cordura bag construction includes a Velcro® attached flap for ease of emptying
- Attaches to any RONI body with one screw
- Help keep your local range clean



MIL-SPEC | 10 YEAR WARRANTY | NO GUNSMITHING REQUIRED

Part #: MRC  
Made Of: Polymer+Foam

Weight (oz): 52.16  
Height Max (in): 13.5

Length Max (in): 15.5  
Width Max (in): 4.25

Colors: ■

### MRC

#### Foam Lined Hard Case

This super rugged polymer case embossed with the Micro RONI name & logo, has room to hold the Micro RONI and all necessary accessories, securely protected inside the egg crate foam lined interior.

- Hinged lid with two latches
- Two outside holes for security locks
- Carry handle



MIL-SPEC | 10 YEAR WARRANTY | NO GUNSMITHING REQUIRED

Part #: THR  
Fits: Picatinny side rail  
Made Of: Polymer

Weight (oz): 0.64  
Height Max (in): 3.5"

Length Max (in): 20"  
Width Max (in): 10"

Colors: ■

### THR

#### Thumb Rest for Micro RONI

Set of two thumb rests. Fits on the side rail of the Micro RONI platform

- Dual zippers with single pull tab for quick and easy access
- Single strap design allows for both cross body or single shoulder carry
- Three inch wide padded strap with quick release snaps spreads the weight reducing fatigue
- Doesn't fit the RONI Civilian



MIL-SPEC | 10 YEAR WARRANTY | NO GUNSMITHING REQUIRED

Part #: MRFL17 / MRFL19  
Fits: MIC-RONI17 / 19  
Made Of: Cordura

Weight (oz): 0.19  
Height Max (in): 1"

Length Max (in): 2.5"  
Width Max (in): 1.75"

Colors: ■

### MRFL

#### Flashlight for Micro RONI®

Ambidexterous flashlight for the Micro RONI series (Glock® 17 & 19).

- Only fits Micro RONI® series, and not original RONI® series

**ACCURACY**

- RONI Pistol Carbine Conversion allows you to realize the accuracy inherent in the pistol. Targets can be engaged at 75 meters (85 yards) and beyond.
- The RONI shoulder stock design provides the stability to significantly improve accuracy and shooting distance. User accuracy is also increased because the sight line and rail height are above the barrel. The weight and design of the RONI significantly reduces recoil and eliminates muzzle jump contributing to increased accuracy.

**ECONOMICALLY RESPONSIBLE**

Designed for the Special Forces operator, The RONI has found favor with SWAT, Motorcycle, School Resource Officers and Security Details. Using the RONI, only one type of weapon ammunition and magazines are required. The operator carries less weight. In utilizing one weapon system, logistics are streamlined, saving time and money by not having to stock replacement parts, magazines, ammunition and gunsmithing for two weapon systems. Now, one weapon serves multiple applications. Because the RONI uses pistol caliber and not rifle caliber ammunition, there is much less chance of penetration thru walls causing collateral damage. The RONI converts your sidearm from a tertiary weapon into a primary weapon. The RONI is priced much less than a SMG. Training with one weapon system saves time and money and more importantly, allows the operator to develop the singular neuro-muscular coordination needed in high stress situations.

**TRANSFORMATION**

- A pistol can be installed in the RONI in 5 seconds. No pistol disassembly or gunsmithing is required.
- Repeatable zero is maintained when reinserting the pistol into the RONI.
- The RONI holds the pistol at three points, around the trigger guard, at the tang of the back strap, and at the under barrel rail mount.
- Slide operation is controlled by a charging handle friction fitted to the slide serrations.
- RONI's large ambidextrous charging handles makes charging the weapon easier for any size operator and allows quicker clearing of jams.
- Jams are cleared exactly the same way as when shooting the pistol by itself. All necessary parts are accessible.

**DESIGN FEATURES**

- Polymer body with a full length reinforced aluminum spine provides the strength, rigidity & durability needed while reducing carrying weight for the operator.
- Ergonomic design is comfortable and user friendly. Featuring an adjustable cheek rest,
- Collapsible buttstock and folding grip.
- Ambidextrous design of the front and rear sling mounts, charging handle and side rails allow for comfortable use by both left and right handed operators.
- Muzzle shroud includes an integral glass breaker.

**BUTTSTOCK  
FEATURES**

- RONI's buttstock with 5 position length of pull adjustment provides a comfortable fit with or without body armor.
- RONI's adjustable cheek rest is removable, providing a perfect sight picture when using low profile sights.
- RONI's buttstock features a secure extra magazine mount positioned where it reduces reloading time, but doesn't interfere with shooting.
- RONI can be operated with the buttstock in the closed position.

**RAIL FEATURES**

- RONI's 9.25" one piece upper aluminum rail is long enough to accommodate a number of different sights, including a red dot + night vision or red dot + flip up sights.
- RONI's two 2.5" side rails allow the attachment of other devices including flashlights, lasers, etc.
- RONI's 2 1/8" lower polymer rail provides mounting for forward a grip.
- RONI's top rails are CNC manufactured from aviation grade aluminum providing a solid platform.

**SAFETY FEATURES**

- RONI includes a trigger guard to protect the trigger for pistols without a conventional safety device.
- RONI has a forward finger guard to protect the forefinger from the barrel shroud.

**VERSATILITY**

- The RONI can be used with the forward grip in a vertical or horizontal position.
- The RONI design allows the use of different model pistols from the same manufacturer in the same RONI body.
- RONI's design allows for accurate single handed shooting from either hand.
- RONI's unique design enables the user to "accurately point and shoot" because the barrel is significantly lower than the sight picture.
- RONI's totally balanced design eliminates weapon recoil, improving accuracy and reducing target reacquisition time.
- Increased accuracy reduces training time.

**OPTIONS**

- Three color options: Black, Green, Desert Tan.
- Optional hinged brass catcher with magnetic release provides easy access to the ejection port.
- Velcro® bag closure quickly empties the spent cases.
- RONI accepts sound suppressors up to 1.37" in diameter.
- Specifically designed flip up sights, offset lights mounts, slings and carrying cases are available.

PICATINNY  
RAILS &  
RAIL SYSTEMS



02 —  
PICATINNY RAILS &  
RAIL SYSTEMS



**CAA**

XRS47-SET; M4S1; RS47-SET; TRM3; MR500; RR870;  
PR; SGR1; X4MS;



**X4MS/X4MSD**

**AR15/M16 Picatinny Aluminum Quad Rail**

Designed to exceed the newest requirements of the US Army for improving zero retention/repeatability. With a new slimmer profile, CAA's newest Picatinny quad rail improves durability, reliability and maintainability while interfacing with all issued weapon system components.

The X4MS achieves superior zero retention and repeatability, by having the upper three rail section mount underneath the end cap and secured in place with a friction fit ledge and roll pins. The receiver end of the X4MS is secured to the barrel with a barrel nut bracket that is attached to the upper three rail section with four captive flathead screws. The bottom rail uses locking lugs with a retaining pin to keep it securely mounted to upper hand guard.

- Four full length rails
- Top rail creates one long monolithic rail with the existing flat top rail
- X4MS has two push button sling swivel mounting points at the front
- X4MSD has four push button sling mounting points at the front and back
- Slots around the rails provide maximum ventilation around the rails
- CNC machined from aviation grade aluminum to MIL-1913 standards with a hard anodized black oxide finish for durability and ease of maintenance
- X4MSD requires Delta Ring removal.

MIL-SPEC | 10 YEAR WARRANTY | NO GUNSMITHING REQUIRED

Part #: X4MS  
Fits: M16/AR15/M4  
Number Of Rails: 4

Made Of: Aluminum  
Weight (oz): 10.6  
Width Max (in): 2.2"

Length Max (in): 7.3"  
Height Max (in): 2.4"

Colors: ■

Part #: X4MSD  
Fits: M16/AR15/M4  
Number Of Rails: 4

Made Of: Aluminum  
Weight (oz): 10.1  
Width Max (in): 2.2"

Length Max (in): 7.3"  
Height Max (in): 2.4"

Colors: ■



MIL-SPEC | 10 YEAR WARRANTY | NO GUNSMITHING REQUIRED

Part #: M4S1  
Fits: AR15/M4  
Made Of: Polymer

Number Of Rails: 4  
Weight (oz): 6  
Height Max (in): 2.625"

Length Max (in): 7"  
Width Max (in): 2.75"

Colors:

#### M4S1

##### AR15/M16 4-Picatinny Hand Guard System with Removable Rails

Ergonomically designed polymer rail system, with detachable side and bottom rails.

- Upper and lower hand guard sections interlock, providing the rigidity and stability you need. Solidly mounts to the delta ring and hand guard end cap
- Bottom rail can mount to front sling mount for additional rigidity if forward sling swivel is removed
- Two quick detachable sling swivel mounting points
- First lightweight polymer hand guard designed for use with gas piston systems
- Manufactured from a special high temperature resistant polymer
- Includes 4 interchangeable rails and heat shields
- Two interchangeable bottom rails 4" & 1.75" of Picatinny rail
- Two removable 1.75" side rails allow for mounting of lights and lasers while providing a comfortable area to grip the hand guard





**XRS47-SET**

**AK47 5-Picatinny Rail Hand Guard System**

The world's first five-rail system for the AK47/AK74. Five fixed rails, provide an exceptional design that allows secure mounting of numerous mission specific accessories, including bipods, vertical grips and heavy optics.

XRS47-BR: The combination of the lower and top rear sections provides a total of 4 rails for mounting grips, lights, lasers, bipods, scopes, heavy optics, red dot sights and other accessories.

- Securely mounts to weapon, effectively maintaining zero, and increasing accuracy under the most demanding conditions
- Allows disassembling/assembling the AK, without rail removal, maintaining perfect zero
- Rear rail is specifically designed for heavy optics
- Three piece modular system, can be used individually or in conjunction with each other
- Compatible with most AK style rifles

MIL-SPEC | 10 YEAR WARRANTY | NO GUNSMITHING REQUIRED

Part #: XRS47-SET  
Fits: AK47/AK74  
Number Of Rails: 5

Made Of: Aluminum  
Weight (oz): 15.36  
Width Max (in): 2"

Length Max (in): 15"  
Height Max (in): 3.675"

Colors: ■

Part #: XRS47-BR  
Fits: AK47/AK74  
Number Of Rails: 4

Made Of: Aluminum  
Weight (oz): 10.88  
Width Max (in): 2"

Length Max (in): 13"  
Height Max (in): 3.675"

Colors: ■

Rail Lengths (in)  
Bottom: 4.5"  
Right Side: 4.125"

Left Side: 2.5"  
Top Front: 5.875"  
Top Rear: 5.75"



**TRM3****Triple Rail Mounting System**

Versatile polymer triple rail mounting system is available as a single 3" Picatinny rail (TRM), or a triple rail mount (TRM3). Use all 3 rails on lower hand guards for grip with easy thumb access to light & laser on side rails or use 3" rail on bottom & 2.5" rails on top. Also available in 1 (TRM).

- Allows easy tactical light operation while using a vertical grip and light mount
- Rails can be used independently of each other
- 45° rails will not interfere with iron sights
- Mounts on the upper and lower vent holes of most existing standard hand guards
- Constructed of high density polymer

MIL-SPEC | 10 YEAR WARRANTY | NO GUNSMITHING REQUIRED

Part #: TRM3

Fits: M16/AR15/M4

Made Of: Polymer

Number Of Rails: 3

Weight (oz): 3

Height Max (in): 1.5"

Length Max (in): 3"

Width Max (in): 2.75"

Colors: ■

**RS47-SET****AK47/AK74 Hand Guard System**

Polymer two piece hand guard, provides a rigid lightweight platform to mount accessories on four Picatinny rails.

- Two full length upper and lower Picatinny rails provide excellent mounting positions for optics, bipods and grips
- Skeletonized design reduces weight and improves cooling
- Two removable 3" side rails are ideal for mounting light/laser devices
- Available as a complete set **RS47-SET**
- Constructed of high density polymer for strength and heat resistance
- Compatible with most AK style rifles

MIL-SPEC | 10 YEAR WARRANTY | NO GUNSMITHING REQUIRED

Part #: RS47-SET

Fits: AK47/AK74

Made Of: Polymer

Number Of Rails: 4

Weight (oz): 8.32

Height Max (in): 3.25"

Length Max (in): 6.5"

Width Max (in): 2"

Colors: ■ ■ ■

COMING SOON



MIL-SPEC | 10 YEAR WARRANTY | NO GUNSMITHING REQUIRED

Part #: AK-HG  
Fits: AK47/AK74  
Made Of: Poly+Alum

Weight (oz): 5.36  
Height Max (in): 3.25"

Length Max (in): 6.7"  
Width Max (in): 1.5"

Colors: ■

**AK-HG****AK47/AK74 Hand Guard System**

Polymer AK pattern two piece hand guard.

- Constructed of high density polymer for strength and heat resistance
- Compatible with most AK style rifles
- Includes lower heatshield
- Available as complete set (#AK-HG) or separately as upper hand guard (#AK-HGT) and lower hand guard (#AK-HGB)

COMING SOON



MIL-SPEC | 10 YEAR WARRANTY | NO GUNSMITHING REQUIRED

Part #: RS12  
Fits: Saiga 12GA Shotgun  
Made Of: Polymer

Number Of Rails: 3  
Weight (oz): 7  
Height Max (in): 2.5"

Length Max (in): 6.75"  
Width Max (in): 2.875"

Colors: ■

**RS12****Saiga 12 GA Picatinny Hand Guard Rail System**

Polymer hand guard system with removeable rails. Provides a rigid lightweight platform to mount Picatinny accessories.

- Removable bottom Picatinny rail - excellent mounting position for bipods and grips.
- Two removable side rails are ideal for mounting light/laser devices.
- Constructed of high density polymer for strength and heat resistance.
- Available without rails (#RS12B)



### XRS74YG

#### AK47/AK74 5-Rail Aluminum Hand Guard System

The newest addition to our AK rifle hand guard line. Designed especially for the AK100 rifles. A modular forearm mounting system provides both Picatinny and Keymod mounting solutions.

- Simple, yet sturdy and rugged design.
- Firmly mounts onto the rifle. Maintains perfect zero under harshest conditions.
- Allows easy field-stripping for cleaning and maintenance without disassembling the system.
- Detachable bottom and side Picatinny rails. Provides Keymod mounting solutions with rails detached.
- A long, low profile upper rail extending to the rear of the dust cover – Allows heavy optics mounting. Will maintain zero if disassembled from the rifle and reassembled
- Allows use of side folding stock without any intereference.
- Lower hand guard can be used separately.

MIL-SPEC | 10 YEAR WARRANTY | NO GUNSMITHING REQUIRED

Part #: XRS74YG  
Fits: AK47/AK74  
Made Of: Aluminum

Number Of Rails: 5  
Weight (oz): 17.9"  
Height Max (in): 3.5"

Length Max (in): 22"  
Width Max (in): 2.36"

Colors: ■





MIL-SPEC | 10 YEAR WARRANTY | NO GUNSMITHING REQUIRED

Part #: PRFCS	Number Of Rails: 1	Length Max (in): 3.125"	Colors: ■
Fits: M16/AR15/M4	Weight (oz): 1	Width Max (in): 1.125"	
Made Of: Polymer	Height Max (in): 1.75"		

Part: PRFCS ————— Picatinny Rail for Collapsible Stocks  
 Part: PRFCSL ————— Picatinny Rail for Collapsible Stocks (Left)  
 Part: PRFCSACP ————— Picatinny Rail for Collapsible Stocks and Adjustable Cheekpiece (ACP)  
 Part: PRFCSLACP ————— Picatinny Rail for Collapsible Stocks and Adjustable Cheekpiece (ACP) (Left)

## PRFCS

### Picatinny Rail for Collapsible Stock

Allows the attachment of our adjustable cheekpiece (ACP), mag holder (MPS), shot shell holder (SSM) and other rail-mounted products to existing collapsible stocks.

- Installs instantly on most standard collapsible AR15/M16 stocks
- Rugged fiberglass reinforced high density polymer construction
- Available with adjustable cheekpiece ACP
- 2 ¼" Picatinny rail
- Mounts through sling opening in stock
- Fast and easy installation. Available for left or right handed shooters



MIL-SPEC | 10 YEAR WARRANTY | NO GUNSMITHING REQUIRED

Part #: BLM15	Number Of Rails: 1	Length Max (in): 2.25"	Colors: ■
Fits: M16/AR15/M4	Weight (oz): 1.3	Width Max (in): 0.81"	
Made Of: Aluminum	Height Max (in): 1.75"		

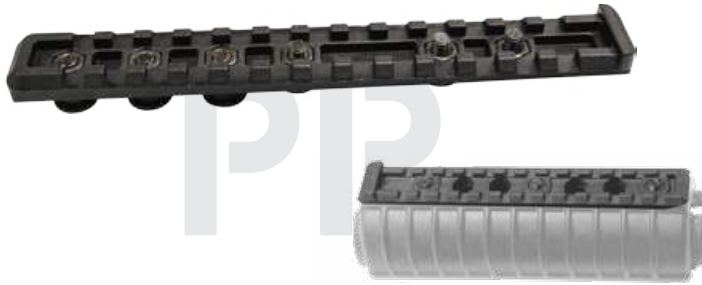
## BLM15

### Bayonet Lug Mounted Picatinny Rail

Transforms the bayonet lug mount into a Picatinny rail section.

- Allows the addition of flashlight, laser and other mounts
- No gunsmithing required





MIL-SPEC | 10 YEAR WARRANTY | NO GUNSMITHING REQUIRED

Part #: PR  
Fits: M16/AR15/M4  
Made Of: Polymer

Number Of Rails: 1  
Weight (oz): 1.6  
Height Max (in): 0.375"

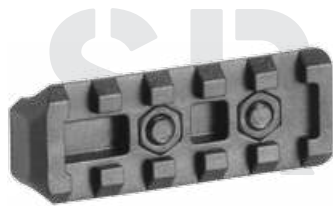
Length Max (in): 5.675"  
Width Max (in): 0.81"

Colors: ■

**PR****Picatinny Rail for AR15 Hand Guard**

5.6" Picatinny rail can be easily installed on an existing AR15/M16 carbine/rifle hand guard.

- Single Picatinny rail screws into existing vent holes on the hand guard
- Fits most hand guards
- Excellent for mounting lasers, flashlights, vertical grips, pods and more



MIL-SPEC | 10 YEAR WARRANTY | NO GUNSMITHING REQUIRED

Part #: SR  
Fits: M16/AR15/M4  
Made Of: Polymer

Number Of Rails: 1  
Weight (oz): 0.64  
Height Max (in): 0.375"

Length Max (in): 1.5"  
Width Max (in): 0.81"

Colors: ■

**SR****Picatinny Rail for AR15 Hand Guard**

Attach a light or laser to your factory hand guard using this mini Picatinny rail attachment.

- Fits most hand guards. Screws into existing vent holes on hand guard
- 1.5" rail is ideal for light, laser mounts or grips
- Constructed of high density polymer
- Fast and easy installation





### FSM15P

#### Dual Picatinny Rail/Front Sight

Front sight mounted rails securely attach to AR15 style front sights.

- Two rails for laser, light and other mounting applications
- Available in polymer (FSM15P) model

MIL-SPEC | 10 YEAR WARRANTY | NO GUNSMITHING REQUIRED

Part #: FSM15P  
Fits: M16/AR15  
Made Of: Polymer

Number Of Rails: 2  
Weight (oz): 1.6  
Height Max (in): 0.875"

Length Max (in): 2.875"  
Width Max (in): 1.375"

Colors: ■



### MR500

#### Mossberg 500/590 3-Picatinny Rail Hand guard System

Lightweight forend with rails. Provides three rails for mounting light, lasers and forward grips. Doesn't fit Mossberg 500 A.

- Polymer hand guard for Mossberg 500/590 12ga
- Provides a rigid lightweight Picatinny platform
- 6.5" lower rail - ideal for mounting grips and other mounts
- Comfortable grip design
- Two removable 2.5" mini side rails - ideal for mounting light/laser devices
- Special tool or wrench may be required for installation

MIL-SPEC | 10 YEAR WARRANTY | NO GUNSMITHING REQUIRED

Part #: MR500  
Fits: Mossberg 500/590  
Made Of: Polymer

Number Of Rails: 3  
Weight (oz): 6.08  
Height Max (in): 2"

Length Max (in): 8"  
Width Max (in): 2.8"

Colors: ■ ■ ■



**RR870****Remington 870 3-Picatinny Rail Handguard System**

Lightweight, skeletonized forend with rails. Provides three rails for mounting light, lasers and forward grips.

- Polymer one-piece hand guard for Remington 870 12 ga
- Provides a rigid lightweight Picatinny platform
- Comfortable grip design
- 5.375" lower rail - ideal for mounting grips and other mounts
- Two removable 2.25" mini side rails - ideal for mounting light/laser devices
- Special tool or wrench may be required for installation

MIL-SPEC | 10 YEAR WARRANTY | NO GUNSMITHING REQUIRED

Part #: RR870  
Fits: Remington 870  
Made Of: Polymer

Number Of Rails: 3  
Weight (oz): 7.36  
Height Max (in): 2.5"

Length Max (in): 8"  
Width Max (in): 2.5"

Colors:





**SIG SAUER® P226/P228/P229**

**Under Barrel Picatinny Rail**

Quickly add a Picatinny rail below the barrel of a handgun. Easily clamps onto the trigger guard area providing a stable platform for mounting a light/laser. CNC machined from aviation grade aluminum.

- Easily clamps onto the trigger guard area.
- Providing a stable platform for mounting a light/laser.

Part #: SIG-A1

Fits: Sig Sauer® P226/8/9

Made Of: Polymer

Number Of Rails: 1

Weight (oz): 1.4

Width Max (in): 1.65"

Length Max (in): 3.27"

Height Max (in): 1.65"

Colors: ■

MIL-SPEC | 10 YEAR WARRANTY | NO GUNSMITHING REQUIRED



**GLOCK® 17/19**  
**Bottom Picatinny Rail**

Part #: GL-A1

Fits: GLOCK® 17/19

Made Of: Aluminum

Number Of Rails: 1

Weight (in): 1.48

Width Max (in): 0.82"

Length Max (in): 3.67"

Height Max (in): 1.25"

Colors: ■



**BERETTA® 92F**  
**Bottom Picatinny Rail**

Part #: BER-A1

Fits: Beretta® 92F

Made Of: Aluminum

Number Of Rails: 1

Weight (oz): 1.4

Width Max (in): 0.90"

Length Max (in): 3.67"

Height Max (in): 1.73"

Colors: ■



**COLT® 1911**  
**Bottom Picatinny Rail**

Part #: COLT-A1

Fits: Colt® 1911

Made Of: Aluminum

Number Of Rails: 1

Weight (oz): 1.34

Width Max (in): 0.90"

Length Max (in): 3.67"

Height Max (in): 1.53"

Colors: ■



**FN® Hi-Power**  
**Bottom Picatinny Rail**

Part #: FN-A1

Fits: FN® Hi-Power

Made Of: Aluminum

Number Of Rails: 1

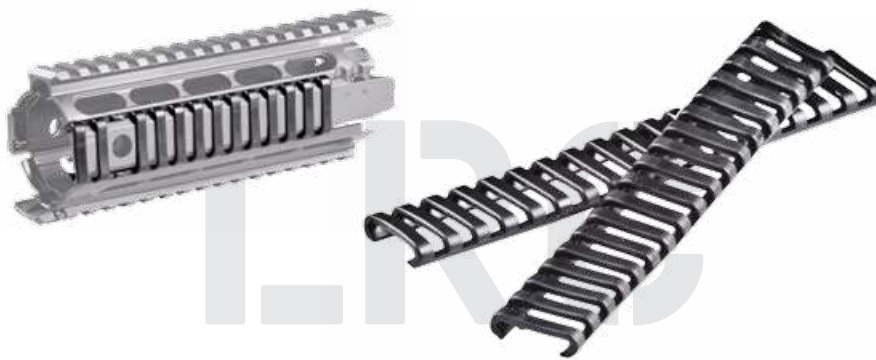
Weight (oz): 1.4

Width Max (in): 0.90"

Length Max (in): 3.67"

Height Max (in): 1.73"

Colors: ■



MIL-SPEC | 10 YEAR WARRANTY | NO GUNSMITHING REQUIRED

Part #: LRC  
Fits: Picatinny Rails  
Made Of: Rubber

Number Of Rails: 3  
Weight (oz): 0.5

Height Max (in): 0.03"  
Length Max (in): 6.7"

Colors:

**LRC**  
**Skeletonized Rubber Thermal Rail Covers**

Set of four durable rail cover to fit on Picatinny rails.

- Set of four rubber ladder style covers for Picatinny rails
- Low profile fit
- Covers can be easily cut for exact fit



MIL-SPEC | 10 YEAR WARRANTY | NO GUNSMITHING REQUIRED

Part #: PCK  
Fits: Picatinny Rails  
Made Of: Rubber

Weight (oz): 0.35  
Height Max (in): 1.38"

Length Max (in): 1.8"

Colors:

**#PCK**  
**Rubber Thermal Rail Covers**

Set of 12 short rubber covers for picatinny rail.

- Covers allow pressure switch cables to fit underneath.
- Protects the rails from scratches or hits.
- Protects the hands from heat during rapid fire.



# STOCKS, TUBES & ACCESSORIES

03—

## STOCKS, TUBES & ACCESSORIES



**CAA**

M16; AR15; M4; AK47; REMINGTON 870;  
MOSSBERG 500

**SBS****Skeletonized Stock**

Lightweight and designed for fast shouldering, fitting both commercial and MIL-SPEC tubes. Complete with a locking system, 3 sling mounts, and contoured rubber texturized cheek weld to maximize user comfort.

- Skeletonized for light weight, only 10.88 oz., two ounces lighter than our CBS stock
- Fits both MIL-SPEC and commercial tubes
- Compression ring insures super tight fit on all tubes, eliminating wiggle and play
- Manufactured from a high strength nylon reinforced polymer
- Over-molded rubber cheek weld is contoured and texturized to provide extra user comfort
- Grooved release latch provides quick length changes and prevents accidental operation
- Thumb activated extension pin locking tab slides to secure skeletonized buttstock in place, eliminating accidental stock movement
- Buttpad offers an anti-slip surface and increased impact protection
- 3 sling mounts for web slings and quick detach sling mounts
- Ambidextrous and ergonomic design

MIL-SPEC | 10 YEAR WARRANTY | NO GUNSMITHING REQUIRED

Part #: SBS

Fits: M16/AR15/M4

Made Of: Polymer

Weight (oz): 10.88

Height Max (in): 5.25"

Length Max (in): 7.5"

Width Max (in): 1.75"

Colors:





MIL-SPEC | 10 YEAR WARRANTY | NO GUNSMITHING REQUIRED

Part #: CBS	Number Of Rails: 1	Length Max (in): 7.5"	Colors: <span style="display: inline-block; width: 10px; height: 10px; background-color: black; margin-right: 5px;"></span> <span style="display: inline-block; width: 10px; height: 10px; background-color: olive; margin-right: 5px;"></span> <span style="display: inline-block; width: 10px; height: 10px; background-color: #c08040;"></span>
Fits: M16/AR15/M4	Weight (oz): 12	Width Max (in): 1.75"	
Made Of: Polymer	Height Max (in): 5.25"		

Part #: CBSM ————— Collapsible Stock (CBS) for MIL-SPEC Tubes  
 Part #: CBST ————— Collapsible Stock (CBS) with Tube Assembly

**CBS**  
**Collapsible Stock**

Upgrade your standard collapsible buttstock with our innovative feature packed, six-position collapsible stock. Increase your comfort, control, storage, and mounting options.

- Ambidextrous side compartment with snap tight latch provides waterproof storage for 4 CR123 batteries
- Side Picatinny rail allows addition of Adjustable Cheekpiece (ACP) or Mag Holder (MPS)
- Non-slip rubber buttpad with tapered angle, allows faster shouldering and increased comfort with body armor & provides a secure positive shoulder purchase
- In addition to the standard web sling mount, there are 4 ultrasonically welded metal quick release sling mounting points for quick sling attachment and release
- Available with tube assembly including: receiver extension, recoil buffer, spring, locking ring, and receiver plate
- Ergonomic adjustment lever included for quick, comfortable length adjustment



**CBSCP****Integrated Stock and Adjustable Cheek-Rest**

Transforms the CBS into an improved buttstock for combat. Integrating a strong adjustable cheek-rest with correct eye relief for scoped rifles or sights. Perfect all in one product.

- Locks at three levels - 0.43" / 0.86" / 1.3" (in)
- Ambidextrous lock-nut. Easy to change sides
- Allows proper eye relief for scoped rifles
- Rubber non-slip buttpad with tapered angle, allows faster shouldering and increased comfort with body armor
- Two (per side) ultrasonically welded metal quick release sling mount points.
- Accommodates to both left/right handed users

MIL-SPEC | 10 YEAR WARRANTY | NO GUNSMITHING REQUIRED

Part #: CBSCP  
Fits: M16/AR15/M4  
Made Of: Polymer

Weight (oz): 14.6  
Height Max (in): 5.12"

Length Max (in): 7.5"  
Width Max (in): 1.57"

Colors: ■ ■ ■





**SRS**

**Advanced Sniper Stock**

The result of years of research and development. Designed in conjunction with special units of the IDF (Israel Defense Force) this sniper stock is ideally suited to meet the demands of the precision marksman community. Proven to provide rapid target acquisition, faster and more accurate follow up shots, and quicker target-to-target acquisition. Completely adjustable, featuring a folding rear leg that converts an A2, A4 or SR25 rifle with a bipod into a stable shooting platform. Designed for full length stock tube.

- Stock adjustable for length of pull with push button (10 positions)
- Quick release extendable leg has a coarse and fine push button height adjustment plus a knurled micro height adjustment ring
- Cheek rest is fully adjustable for height, with knurled knob controlling a spring loaded mechanism to raise the cheekpiece height
- Cheekpiece length can be set at any of 13 click locking positions controlling eye relief adjustment
- Vertically adjustable rubber butt pad
- Leg locks in 3 positions: 0°, 45°, and 90°
- 2 quick release sling mount points

**MIL-SPEC** | **10 YEAR WARRANTY** | **NO GUNSMITHING REQUIRED**

<b>Part #:</b> SRS	<b>Made Of:</b> Alum/Polymer	<b>Horizontal Adj (in):</b> 2.25"	<b>Vertical Cheek Adj (in):</b> 1.5
<b>Fits:</b> M16/AR15/Rifles w/ fixed stocks	<b>Number Of Rails:</b> 1	<b>Length of Pull (in):</b> 11"-14.5"	<b>V. Buttpad Adj (in):</b> 2.25"
	<b>Weight (oz):</b> 34.5	<b>Leg Length (in):</b> 3.5"-7.25"	<b>Colors:</b> <span style="display: inline-block; width: 10px; height: 10px; background-color: black; margin-right: 5px;"></span> <span style="display: inline-block; width: 10px; height: 10px; background-color: olive; margin-right: 5px;"></span> <span style="display: inline-block; width: 10px; height: 10px; background-color: #8B4513; margin-right: 5px;"></span>

**Part #:** SRS \_\_\_\_\_ Sniper Stock  
**Part #:** SRSNL \_\_\_\_\_ Sniper Stock (No Leg)





**ARS  
Advanced Sharp Shooting Stock**

Specifically engineered for the Designated Marksman. The ARS allows the user to provide rapid accurate fire. Shorter length specifically designed for M4 carbine and similar collapsible tubes.

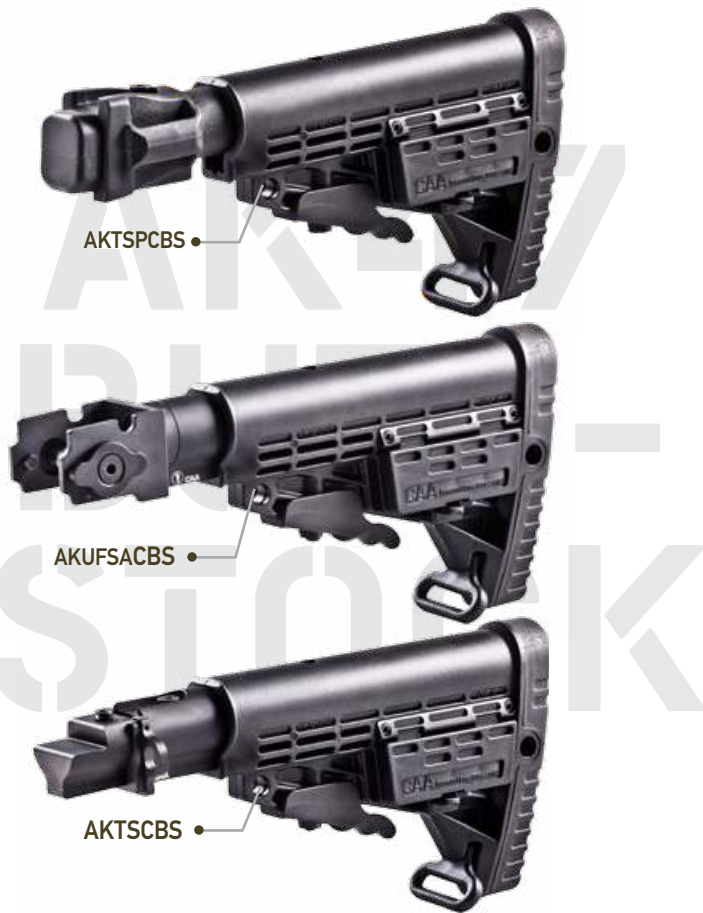
- Stock adjustable for length of pull with push button (10 positions)
- Leg locks in 3 positions: 0°, 45°, and 90°
- Cheekpiece length can be set at any of 13 click locking positions controlling eye relief adjustment
- Cheek rest is fully adjustable for height, with knurled knob controlling a spring loaded mechanism to raise the cheek piece height
- 2 quick release sling mount points
- Vertically adjustable rubber butt pad
- Quick release leg extension with a coarse and fine push button height adjustment and a knurled micro height adjustment ring

**MIL-SPEC | 10 YEAR WARRANTY | NO GUNSMITHING REQUIRED**

<b>Part #:</b> ARS	<b>Made Of:</b> Alum/Polymer	<b>Horizontal Adj (in):</b> 2.25"	<b>Vertical Cheek Adj (in):</b> 1.5"
<b>Fits:</b> M16/AR15/M4 w/ collapsible stocks	<b>Number Of Rails:</b> 1	<b>Length of Pull (in):</b> 9"-11.5"	<b>V. Buttpad Adj (in):</b> 2.25"
	<b>Weight (oz):</b> 33.4	<b>Leg Length (in):</b> 3.5"-7.25"	<b>Colors:</b> <span style="display: inline-block; width: 10px; height: 10px; background-color: black; margin-right: 5px;"></span> <span style="display: inline-block; width: 10px; height: 10px; background-color: #4b6121; margin-right: 5px;"></span> <span style="display: inline-block; width: 10px; height: 10px; background-color: #c48e4a;"></span>

**Part #:** ARS ————— Sharp Shooting Stock  
**Part #:** ARSNL ————— Sharp Shooting Stock (No Leg)



**AK47****Collapsible Buttstock Kits for AK Platform**

Upgrade your AK47 buttstock with an innovative, six-position collapsible stock.

- Available for milled, stamped, under-folding, and side-folding receivers
- Aluminum tubes provide sealed storage area for a cleaning kit or small items
- Stock angle is higher, flatter for higher cheek weld, providing increased accuracy
- Side snap-tight latch compartment provides storage for 4 CR123 batteries
- Provides longer length of pull than standard AK stock
- Side Picatinny rail allows addition of Adjustable Cheek Piece (ACP)
- Rubber non-slip buttpad with tapered angle, allows faster shouldering and increased comfort with body armor
- 2 ultrasonically welded metal quick release sling mount points

MIL-SPEC | 10 YEAR WARRANTY | NO GUNSMITHING REQUIRED

- Part #: AKTSCBS — AK47 Collapsible Stock with Aluminum Tube for Stamped Receiver  
 Part #: AKTSPCBS — AK47 Collapsible Stock with Polymer Tube for Stamped Receiver  
 Part #: AKTMCBS — AK47 Collapsible Stock with Aluminum Tube for Milled Receiver  
 Part #: AKTMPCBS — AK47 Collapsible Stock with Polymer Tube for Milled Receiver  
 Part #: AKFUSACBS — AK47 Collapsible Stock with Aluminum Tube for Underfolding Stock  
 Part #: AK47SFSPCBS — AK47 Collapsible Stock with Polymer Tube for Side-folding Stock

Colors:





**AK47**

**Collapsible Tubes for AK Platform**

Six position collapsible tube with storage for AK47. Sling mounting points on all models except AKUFSA & AK47SFSP.

- New side folding polymer tube for stamped receivers
- Available for milled, stamped, and under-folding receivers
- Aluminum tubes provide sealed storage area for a cleaning kit or small items
- Stock angle is higher, flatter for higher cheek weld, providing increased accuracy
- Provides longer length of pull than standard AK stock



MIL-SPEC | 10 YEAR WARRANTY | NO GUNSMITHING REQUIRED

- Part #: AKUFSA — 6 Position Aluminum Tube for AK47 Underfolding Stock
- Part #: AKTM — 6 Position Aluminum Tube for AK47 Milled Receiver
- Part #: AKTS — 6 Position Aluminum Tube for AK47 Stamped Receiver
- Part #: AKSFSA — 6 Position Aluminum Tube for AK47 Side Folding Stock
- Part #: AKTSP — 6 Position Polymer Tube for AK47 Stamped Receiver
- Part #: AKTMP — 6 Position Polymer Tube for AK47 Milled Receiver
- Part #: AK47SFSP — 6 Position Polymer Tube for AK47 Stamped Side Folding Stock

Colors:



**TACTICAL SHOTGUN ADVANTAGES****Shotgun Pistol Grips**

Versatile modular system applicable for all situations.

- Quick, secure and easy conversion from cruiser style to full stock style with two screws
- Six position adjustable stock with rubber recoil pad increases comfort and endurance, provides adjustable length of pull to accommodate all size users and body armor
- Stock features ambidextrous waterproof compartment for 4 CR123 batteries and side Picatinny rail for mounting optional five round 12 ga. shell holder
- Adjustable spring loaded recoil reduction tube reduces recoil, increases comfort and control during extended shooting/training sessions

**PG870/MS500/RGP870/MGP500****Shotgun Pistol Grips**

The ultimate cruiser conversion provides a sure and comfortable pistol grip and is available with the Picatinny rail. Provides better accuracy, stability and comfort.

- Replace factory buttstock with a pistol grip and Picatinny sight mount.
- Available for Remington 870 and Mossberg 500/590 12 gauge
- Remington pistol grip includes 6 interchangeable finger grooves and back straps
- Shown with pistol grip and sight rail
- The addition of the 6 position stock tube (with or without recoil reduction) accepts any commercial AR15 collapsible stock.



MIL-SPEC | 10 YEAR WARRANTY | NO GUNSMITHING REQUIRED

**WITH RAIL**

**Part #:** RGP870/MGP500  
**Fits:** Remington 870 12GA  
/ Mossberg 500/590 12GA

**Made Of:** Polymer  
**No. of Rails:** 1  
**Weight (oz):** 8/6.72

**Height (in):** 8.375"/7.875"  
**Length (in):** 6.9"/6.75"  
**Width (in):** 1.5"

**Colors:** ■



### Remington 870 / Mossberg 500 Shotgun Stock with Pistol Grip

Our stock system replaces factory buttstock with a pistol grip, Picatinny rail sight mount and CBS six-position collapsible stock, providing the versatility you need for different situations. Pistol grip for CQB and home defense; collapsible stock for range training and longer range situations.

- The 6 position stock system is available with recoil reduction
- Stock system is available with or without top rail
- Available for Remington 870 and Mossberg 500/590

MIL-SPEC | 10 YEAR WARRANTY | NO GUNSMITHING REQUIRED

#### WITH RAIL

**Pistol Grip with Rail + 6 Position Tube & Stock:** Remington 870 12GA (CRGPT870), Mossberg 500/590 (CMGPT500)

**Pistol Grip with Rail + 6 Position Recoil Reducing Tube & Stock:** Remington 870 12GA (CRGPAT870), Mossberg 500/590 (CMGPAT500)

Colors: ■





**CP**

**Cheekpieces**

The CP1 cheek rest raises eye level for proper alignment with optics, while the CP2 cheek rest raises eye level for proper alignment with iron sights. (CP) set includes both the CP1 and CP2.

- Provides a comfortable cheek weld for use with optics or iron sights
- Installs instantly on most collapsible stocks
- No tools required, snaps into place
- Made of rugged fiberglass reinforced polymer to withstand harsh tactical conditions
- Can be positioned along length of stock to provide optimal eye relief
- Fits most AR15/M16 collapsible style stocks with slots

MIL-SPEC | 10 YEAR WARRANTY | NO GUNSMITHING REQUIRED

**Part #:** CP1  
**Fits:** M16/AR15 OEM Stocks  
**Made Of:** Polymer

**Weight (oz):** 1.88  
**Height Max (in):** 2.12"

**Length Max (in):** 3.8"  
**Width Max (in):** 1.875"

**Colors:** ■

**Part #:** CP2  
**Fits:** M16/AR15 OEM Stocks  
**Made Of:** Polymer

**Weight (oz):** 1.88  
**Height Max (in):** 2.5"

**Length Max (in):** 5"  
**Width Max (in):** 1.875"

**Colors:** ■



**SST1****Stock Saddle Cheekpiece**

Stock Saddle provides a proper cheek weld for M4 and similar collapsible stocks at an affordable price. Easily installs onto M4 style OEM collapsible stocks.

- A proper cheek weld allows for quicker target acquisition and comfort
- Securely attaches to most collapsible stocks with supplied hardware
- Made from fiberglass reinforced polymer for strength and functionality
- Waterproof, sealed battery compartments hold four AA, six CR123 batteries, or .223 cleaning kit
- SST3 provides cut out for top sling mount

MIL-SPEC | 10 YEAR WARRANTY | NO GUNSMITHING REQUIRED

Part #: SST1

Fits: M16/AR15 OEM Stocks

Made Of: Polymer

Weight (oz): 2.3

Height Max (in): 2.5"

Length Max (in): .55"

Width Max (in): 2.265"

Colors:

**ACP****Adjustable Cheekpiece**

Fully adjustable totally ambidexterous cheekpiece designed to mount on the CBS collapsible stock's Picatinny rail or PRFCS rail for existing collapsible stocks. Pat Pending.

- Provides a comfortable adjustable cheek weld for CAA collapsible stock (CBS) and OEM collapsible stock (PRFCS)
- Improves target acquisition
- Hand tightened knob adjust and locks height
- Push button adjusts and locks front to rear travel
- Fully ambidexterous

MIL-SPEC | 10 YEAR WARRANTY | NO GUNSMITHING REQUIRED

Part #: ACP

Fits: CBS OR PRFCS

Made Of: Polymer

Weight (oz): 3.6

Height Max (in): 2.5"-3.5"

Length Max (in): 4.5"

Width Max (in): 2.75"

Rise Max (in): 1"

Colors:





# MAGA- ZINES & COU- PLER

04—

MAGAZINES & COUPLERS



**CAA**

M16; AR15; M4; AK47; SAIGA; MP5; UZI

**MAG****.223 / 5.56mm Polymer 30 Round Magazine**

MAG polymer magazine provides flawless functionality. Contoured interior prevents jams and misfeeds by keeping individual rounds in the proper position. An anti-tilt follower and stainless steel spring provides 100% reliability.

- High impact polymer 30 round .223 / 5.56mm magazine
- Anti-tilt follower
- Corrosion resistant stainless steel spring
- Lightweight and rustproof
- Reduced noise

MIL-SPEC | 10 YEAR WARRANTY | NO GUNSMITHING REQUIRED

Part #: MAG  
Fits: M16/AR15/M4  
Made Of: Polymer

Weight (oz): 5.76  
Height Max (in): 7.5"

Length Max (in): 2.875"  
Width Max (in): 1.25"

Colors:



Pop up pin-full magazine indicator

**MAG17**

**.223 / 5.56 mm Polymer 30 Round Magazine with Window**

This unique magazine provides both a clear window on the side showing the number of rounds remaining in the magazine and a full magazine indicator button on the bottom. The full mag indicator can be preset to pop out at either 29 or 30 rounds by adding or removing the follower extension.

- A clear window on the side of the magazine provides the operator with a visual indicator of the number of remaining rounds
- Polymer body reduces noise
- High impact polymer 30 round .223 / 5.56mm magazine
- Anti-tilt follower
- Interior of magazine is perfectly formed to the shape of the round preventing jams and misfeeds
- Counting system does not interfere with disassembly or reduce capacity

**THE OFFICIAL IDF MAGAZINE**

MIL-SPEC | 10 YEAR WARRANTY | NO GUNSMITHING REQUIRED

Part #: MAG17  
 Fits: M16/AR15/M4  
 Made Of: Polymer

Weight (oz): 5.76  
 Height Max (in): 7.5"

Length Max (in): 2.875"  
 Width Max (in): 1.25"

Colors:



**CDMAG**

**.223 / 5.56mm Polymer 30 Round Countdown Magazine**

This unique magazine provides a visual indicator showing the exact number of remaining rounds in the magazine. The visual indicator has a colored background for easier and quicker round determinations, 30 - 21 rounds show a green background, 20 - 11 rounds show a yellow background and 10 - 0 rounds show a red background. The visual indicator can be viewed without losing the sight picture. A second window on the bottom of the magazine allows the operator to instantly select a loaded magazine from the pouch.

- High impact polymer 30 round .223 / 5.56mm magazine
- Interior of magazine is perfectly formed to the shape of the round preventing jams and misfeeds
- Anti-tilt follower
- Corrosion resistant steel spring
- Color coded visual indicator on back of magazine shows the number of remaining rounds
- Counting system does not interfere with disassembly or reduce capacity
- Polymer body reduces noise

MIL-SPEC | 10 YEAR WARRANTY | NO GUNSMITHING REQUIRED

Part #: CDMAG  
Fits: M16/AR15/M4  
Made Of: Polymer

Weight (oz): 5.76  
Height Max (in): 7.5"

Length Max (in): 2.875"  
Width Max (in): 1.25"

Colors:

**AKMAG****7.62 x 39mm AK Rifle Type Magazine**

A reliable, lightweight and polymer magazine. Designed for AK pattern rifles in 7.62x39mm cal. Solid polymer construction.

- 30 rounds capacity
- Orange anti-tilt follower provides smooth action
- Clear round count indicator windows on both sides
- Follower indicates the number of remaining rounds through the left and right side windows with 10, 20, and 30 round markings
- Long-lasting sturdy spring
- Textured surface for positive slip-proof grip
- Optional metal magazine release catch

MIL-SPEC | 10 YEAR WARRANTY | NO GUNSMITHING REQUIRED

Part #: AKMAG  
Fits: AK47  
Made Of: Polymer

Weight (oz): 7.05  
Height Max (in): 9.25"

Length Max (in): 2.5"  
Width Max (in): 1.25"

Colors: ■



**SA10MAG**

**Saiga 12 ga Polymer 10 Round Magazine**

Polymer 10 round magazine fits Saigas and similar, and provide flawless functionality. Features a long life corrosion resistant steel spring and anti-tilt follower for reliable feeding.

- High impact polymer 10 round 12 ga magazine
- Corrosion resistant steel spring
- Polymer body reduces noise
- Anti-tilt follower
- Ribbed texture on front and back of mag for better grip

**SA5MAG**

**Saiga 12 ga Polymer 5 Round Magazine**

Polymer 5 round magazine fits Saigas and similar, and provide flawless functionality. Features a long life corrosion resistant steel spring and anti-tilt follower for reliable feeding.

- High impact polymer 5 round 12 ga magazine
- Corrosion resistant steel spring
- Polymer body reduces noise
- Anti-tilt follower
- Ribbed texture on front and back of mag for better grip

MIL-SPEC | 10 YEAR WARRANTY | NO GUNSMITHING REQUIRED

Part #: SA10MAG  
 Part #: SA5MAG  
 Fits: Saiga 12 ga

Made Of: Polymer  
 Weight (oz): 7.05  
 Height Max (in): 9.25"

Length Max (in): 2.5"  
 Width Max (in): 1.25"

Colors: ■



**MC16N, MCD16N**

**.223 Polymer Magazine Couplers**

MC16N now comes with both small and large removable pouch pulls. The pouch pull automatically sets the correct height of the magazines, so they don't interfere with the ejection port. The MC16N's robust design with thicker walls provides more resistance to breakage. Based on the proven clamping design, the MC16N for aluminum magazines now has three adjustment screws for additional strength. The MC16N joins the CAA family of magazine couplers, along with the MCD16 for polymer AR15/M16 30 round magazines.

The MCD16N couples two 30-round polymer CAA magazines and has been redesigned, making it more robust, durable and user friendly. Featuring a spring-loaded design allowing easier insertion of the magazines, captive nuts eliminating loss during use in the field, and a contoured surface providing a sure grasp.

- AR15/M16 magazine coupler can be used with optional mag height regulator pouch pulls
- Large and small removable pouch pulls, automatically stagger the magazines to the correct height, so they don't interfere with the ejection port
- Now with 3 screw tightening for extra rigidity
- Robust design with thicker walls provides greater resistance to breakage

MIL-SPEC | 10 YEAR WARRANTY | NO GUNSMITHING REQUIRED

<p><b>Part #:</b> MC16N  <b>Fits:</b> M16/AR15 Mags  <b>Made Of:</b> Polymer</p>	<p><b>Weight (oz):</b> 2.3  <b>Height Max (in):</b> 2.5"</p>	<p><b>Length Max (in):</b> 3"  <b>Width Max (in):</b> 2.875"</p>	<p><b>Colors:</b> ■</p>
<p><b>Part #:</b> MCD16N  <b>Fits:</b> M16/AR15 Mags  <b>Made Of:</b> Polymer</p>	<p><b>Weight (oz):</b> 2  <b>Height Max (in):</b> 2"</p>	<p><b>Length Max (in):</b> 2.5"  <b>Width Max (in):</b> 2.875"</p>	<p><b>Colors:</b> ■</p>





NEW



**MCD47N  
AKMAG Coupler**

Expands ammunition capacity in an magazine coupler. Only fits the CAA #AKMAG.

- Couples two CAA **AKMAG** AK 7.62 magazines, and allows viewing through its side-windows.
- Each magazine is placed in at a different height.
- Set as one part – power spring joins the parts.
- Wide gap – makes it easy to reload.
- Screw tightened captive screws.
- Made of lightweight high density polymer.
- Will not scratch or deform magazines.

MIL-SPEC | 10 YEAR WARRANTY | NO GUNSMITHING REQUIRED

Part #: MCD47N  
Fits: AKMAG  
Made Of: Polymer

Weight (oz): 7.05  
Height Max (in): 9.25"

Length Max (in): 2.5"  
Width Max (in): 1.25"

Colors: ■



### MC47N, MC5N, MCUZI AK47, MP5, & UZI Magazine Couplers

Magazine coupler expands ammunition capacity and saves previous reloading time by joining two aluminum magazines for the AK47.

- Featuring a spring-loaded design allowing easier insertion of the magazines
- Captive nuts to eliminate loss during use in the field
- Checkered surface for a sure grasp

MIL-SPEC | 10 YEAR WARRANTY | NO GUNSMITHING REQUIRED

Part #: MC47N  
Fits: AK47 Mags  
Made Of: Polymer

Weight (oz): 3.5  
Height Max (in): 2.5"

Length Max (in): 2.5"  
Width Max (in): 3"

Colors: ■

Part #: MC5N  
Fits: MP5 Mags  
Made Of: Polymer

Weight (oz): 2.2  
Height Max (in): 2"

Length Max (in): 1.5"  
Width Max (in): 2.75"

Colors: ■



### AKMR AK47 Magazine Extension

Attaches securely to existing AK mag release with 2 set screws for 1 finger magazine removal.

- Quick one finger magazine release
- Provides a larger surface area to release magazine
- Wraps around trigger guard for easy access
- Ambidextrous design

MIL-SPEC | 10 YEAR WARRANTY | NO GUNSMITHING REQUIRED

Part #: AKMR  
Fits: AK47/AK74  
Made Of: Polymer

Weight (oz): 2.56  
Height Max (in): 1.25"

Length Max (in): 2.88"  
Width Max (in): 1.25"

Colors: ■



MIL-SPEC | 10 YEAR WARRANTY | NO GUNSMITHING REQUIRED

Part #: DC	Weight (oz): 0.32	Length Max (in): 2.625"	Colors: ■
Fits: M16/AR15 Mags	Height Max (in): 0.75"	Width Max (in): 1.25"	
Made Of: Polymer			

**DC**  
**Magazine Dust Cover**

Rubber dust cover for AR15/M16 .223 magazine. Fits securely over top of magazine.

- Keeps sand and dirt out of the top of the magazine



MIL-SPEC | 10 YEAR WARRANTY | NO GUNSMITHING REQUIRED

Part #: ML556	Weight (oz): 1.28	Length Max (in): 3.25"	Colors: ■
Fits: .223/5.56 AR15 Mag	Height Max (in): 3"	Width Max (in): 1.375"	
Made Of: Polymer			

**ML556**  
**M16/AR15 Magazine Loader**

Magazine loader for .223 cal / 5.56 mm ammunition. Designed to easily load magazines with speed and efficiency.

- Lightweight and compact design
- Thumb lever easily loads each round
- Works with M16/AR15, Ruger Mini-14 and similar .223/5.56 magazines

**COMING SOON**



MIL-SPEC | 10 YEAR WARRANTY | NO GUNSMITHING REQUIRED

Part #: ML762	Weight (oz): 1.28	Length Max (in): N/A"	Colors: ■
Fits: 7.62mm AK Mag	Height Max (in): N/A"	Width Max (in): N/A"	
Made Of: Polymer			

**ML762**  
**AK 7.62mm Magazine Loader**

Magazine loader for 7.62 mm ammunition into aluminium magazines. Designed to easily load magazines with speed and efficiency.

- Lightweight and compact design
- Thumb lever easily loads each round
- Works with AK 7.62mm aluminum magazines

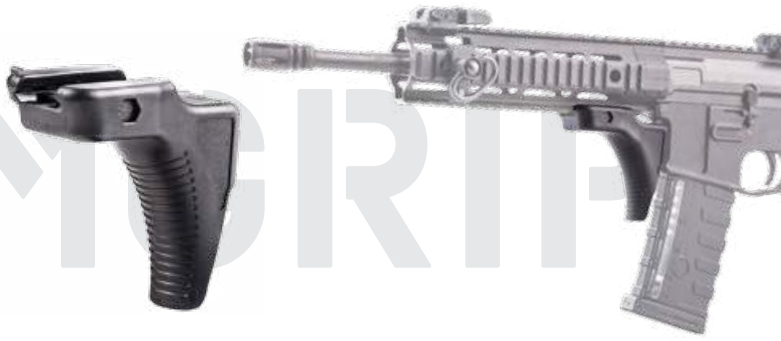
# FOR ARM PIST GRIP

05—

FOREARM & PISTOL GRIPS



**CAA**



**Designed For Close Quarters Battle Situations**

- Mag well grips allows operator to have a shorter arc of movement
- A shorter arc of movement means quicker response to threats
- Increases firearm safety and reliability by eliminating operator contact with the magazine
- Provides more control during firing while reducing fatigue

**MGRIP Curved Mag Well CQB Grip**

- Curved design provides a comfortable grip
- Securely attaches to any Picatinny rail
- No tools necessary for installation or removal
- Captive thumbnut can't be lost. Provides quick and easy installation without tools to Picatinny rail

**MGRIP1 Mag Well CQB Grip with Finger Grooves**

- Finger grooves for increased control, especially under adverse conditions
- Captive thumbnut can't be lost. Provides quick and easy installation without tools to Picatinny rail
- Finned design reduces weight and dissipates heat.
- Two removable pressure switch mounting covers
- Securely attaches to any Picatinny rail
- Plugged cap provides waterproof battery storage
- Side rails assist in guiding magazine into well

**MGRIP2 Two Piece Mag Well CQB Grip**

- 2 piece design clamps around magazine well, Picatinny rail not required
- Features finger grooves
- Removable pressure switch mounting cover

MIL-SPEC | 10 YEAR WARRANTY | NO GUNSMITHING REQUIRED

<p><b>Part #:</b> MGRIP  <b>Fits:</b> Picatinny Rail  <b>Made Of:</b> Polymer</p>	<p><b>Weight (oz):</b> 3.52  <b>Height Max (in):</b> 3.25"</p>	<p><b>Length Max (in):</b> 3.25"  <b>Width Max (in):</b> 1.6"</p>	<p><b>Colors:</b> ■</p>
<p><b>Part #:</b> MGRIP1  <b>Fits:</b> Picatinny Rail  <b>Made Of:</b> Polymer</p>	<p><b>Weight (oz):</b> 2.56  <b>Height Max (in):</b> 3.5"</p>	<p><b>Length Max (in):</b> 3.5"  <b>Width Max (in):</b> 1.6"</p>	<p><b>Colors:</b> ■</p>
<p><b>Part #:</b> MGRIP2  <b>Fits:</b> M16/AR15  <b>Made Of:</b> Polymer</p>	<p><b>Weight (oz):</b> 2.88  <b>Height Max (in):</b> 2.2"</p>	<p><b>Length Max (in):</b> 4.375"  <b>Width Max (in):</b> 1.5"</p>	<p><b>Colors:</b> ■</p>



**EVG**  
**Ergonomic Vertical Grip**

Polymer and rubber forward grip with checkered finger grooves and, skeletonized backstrap. Provides a natural fighting stance, a more controlled operation.

- Mounts on Picatinny rail
- Rail lug prevents any forward or rearward movement
- Rubberized back for comfortable grip surface
- Screw cap storage compartment holds batteries or other small items
- Checkering on finger groove provides added control
- Captive thumbnut can't be lost. Provides quick and easy installation without tools to Picatinny rail

MIL-SPEC | 10 YEAR WARRANTY | NO GUNSMITHING REQUIRED

Part #: EVG  
Fits: Picatinny Rail  
Made Of: Poly+Rubber

Weight (oz): 3.84  
Height Max (in): 4.75"

Length Max (in): 2.175"  
Width Max (in): 1.375"

Colors: ■ ■ ■



**MVG**  
**Short Vertical Grip**

Polymer and rubber forward grip with rubberized front and back panels and pressure switch mounts. No tools required.

- Rubberized front and back panels for comfortable non-slip grip surface
- Dual removable pressure switch mounts
- Captive thumbnut can't be lost. Provides quick and easy installation without tools to Picatinny rail
- Incorporates a no tool screw cap storage compartment

MIL-SPEC | 10 YEAR WARRANTY | NO GUNSMITHING REQUIRED

Part #: MVG  
Fits: Picatinny Rail  
Made Of: Poly+Rubber

Weight (oz): 2.84  
Height Max (in): 3.75"

Length Max (in): 2.175"  
Width Max (in): 1.375"

Colors: ■ ■ ■

**FGA****Flashlight Grip Adaptor**

Combines light mount and vertical grip into one unit. Puts operator in a fighting stance while identifying and engaging targets. Eliminates rail clutter. Accommodates 1" push button end cap lights. Made of high density polymer.

- Thumb activation eliminates sympathetic response of trigger finger designs providing safer operation under high stress conditions
- Side safety lock prevents inadvertent activation of the light during covert activities
- Storage compartment with a screw cap base holds small cleaning kit or extra batteries
- Rubber pressure switch covers and inserts allow for small pressure switch
- 1.5" Picatinny rail is included; attaches to either side, or bottom of mount, for the addition of a laser
- Storage compartment includes a foam plug to eliminate rattling & noise
- Captive thumb-nut can't be lost. Provides quick and easy installation to Picatinny rail without tools

MIL-SPEC | 10 YEAR WARRANTY | NO GUNSMITHING REQUIRED

Part #: FGA  
Fits: Picatinny Rail  
Made Of: Polymer

Weight (oz): 9  
Height Max (in): 5.625"

Length Max (in): 5.5"  
Width Max (in): 5.625"

Colors:



**SVG**  
Short Forearm Vertical Grip  
Polymer Short Grip

- Compact, curved cylinder design
- 6 ring grooves for operator control
- Screw-down clamp-locking system securely locks on rail
- Incorporates plugged storage compartment



**BVG**  
Vertical Grip

Quick detach, molded polymer vertical grip with battery storage.

- Attaches to rail utilizing a twist tightening design
- Waterproof storage for 3 CR123 batteries
- 7 Ring grooves provide operator control and prevent hand slippage under moist conditions

MIL-SPEC | 10 YEAR WARRANTY | NO GUNSMITHING REQUIRED

MIL-SPEC | 10 YEAR WARRANTY | NO GUNSMITHING REQUIRED

Part #: SVG  
Fits: Picatinny Rail  
Made Of: Polymer

Weight (oz): 3.2  
Height Max (in): 4.125"  
Length Max (in): 1.125"

Width Max (in): 1.75"  
Colors: ■ ■ ■

Part #: BVG  
Fits: Picatinny Rail  
Made Of: Polymer

Weight (oz): 3.2  
Height Max (in): 5.125"  
Length Max (in): 1.125"

Width Max (in): 1.5"  
Colors: ■ ■ ■



**CGRIP**  
Ergonomic Forearm Grip  
Comfortable forward grip with finger grooves and palm rest.

- Finger grooves for secure operator grip
- Screw cap storage compartment
- Includes removable pressure switch mount.
- Captive thumbnut can't be lost. Provides quick and easy installation without tools to Picatinny rail.



**TVG/TVG1**  
Thunder Vertical Grip

Ergonomic polymer three or four finger forward grip.

- New contoured shape provides comfort
- Both grips offer a plugged storage compartment
- Compact and lightweight
- Screw down clamp locking system for secure mounting to any Picatinny rail
- Short grip provides grasping surface without snagging on objects

MIL-SPEC | 10 YEAR WARRANTY | NO GUNSMITHING REQUIRED

MIL-SPEC | 10 YEAR WARRANTY | NO GUNSMITHING REQUIRED

Part #: CGRIP  
Fits: Picatinny Rail  
Made Of: Polymer

Weight (oz): 4  
Height Max (in): 5.875"  
Length Max (in): 2.375"

Width Max (in): 2.25"  
Colors: ■ ■ ■

Part #: TVG/TVG1  
Fits: Picatinny Rail  
Made Of: Polymer

Weight (oz): 1.9/3.2  
Height Max (in): 2.7"/4.6"  
Length Max (in): 2"

Width Max (in): 1.9"/3.2"  
Colors: ■ ■ ■



**UPG16/UPG47**

**AR15/M16/AK47 Pistol Grip**

Improve comfort and control with this pistol grip, with six interchangeable rubber inserts. It easily replaces standard grip, includes three finger grooves and three palm swell inserts, allowing the operator to customize their grip to fit all hand sizes.

- Provides increased control during firing
- Finger grooves, palm swell and contoured backstrap provide for an increased powerful grip
- 3 easily interchangeable front and 3 rear rubberized grip inserts mount securely in place
- Capped storage for small items

MIL-SPEC | 10 YEAR WARRANTY | NO GUNSMITHING REQUIRED

**Part #:** UPG16  
**Fits:** M16/AR15  
**Made Of:** Poly+Rubber

**Weight (oz):** 3.7  
**Height Max (in):** 4.5"

**Length Max (in):** 2.25"  
**Width Max (in):** 1.375"

**Colors:**

**Part #:** UPG47  
**Fits:** AK47/AK74  
**Made Of:** Poly+Rubber

**Weight (oz):** 3.7  
**Height Max (in):** 4.25"

**Length Max (in):** 2.275"  
**Width Max (in):** 1.375"

**Colors:**





**G16**  
**AR15/M16 Ergonomic Pistol Grip**  
 Tactical pistol grip for AR15/M16.

- Provides more control during firing
- Beavertail, finger grooves, palm swell and checkering provides for a firmer grip
- Storage compartment with snap cap in base for small item storage



**G47**  
**AK47 Ergonomic Pistol Grip**  
 Tactical pistol grip for AK47.

- Increases comfort
- Provides more control during firing
- Finger grooves and palm swell provide for a firmer grip
- Storage compartment with snap cap in base for small item storage



**G47**  
**AK47 Ergonomic Pistol Grip**  
 Tactical pistol grip for AK47.

- Similar in design to the original AK pistol grip.
- Lightweight and sturdy polymer construction

MIL-SPEC | 10 YEAR WARRANTY | NO GUNSMITHING REQUIRED

**Part #:** G16  
**Fits:** M16/AR15  
**Made Of:** Poly+Rubber

**Weight (oz):** 4  
**Height Max (in):** 4.5"

**Length Max (in):** 2.5"  
**Width Max (in):** 1.375"

**Colors:** ■ ■ ■

**Part #:** G47  
**Fits:** AK47/AK74  
**Made Of:** Poly+Rubber

**Weight (oz):** 3.7  
**Height Max (in):** 4.25"

**Length Max (in):** 2.5"  
**Width Max (in):** 1.375"

**Colors:** ■ ■ ■

**Part #:** AKF-PG  
**Fits:** AK47/AK74  
**Made Of:** Poly+Rubber

**Weight (oz):** 3  
**Height Max (in):** 3.9"

**Length Max (in):** 2.3"  
**Width Max (in):** 0.94"

**Colors:** ■ ■ ■

# SIG

06—  
SIGHTS



**CAA**

**MH1****Hartman Red Dot Reflex Sight**

The MH1 is an advanced tactical red dot reflex sight. It has the largest field of view through the sight which greatly improves target acquisition and situational awareness in day & night (NVD) scenarios.

The MH1 was designed to maximize the user's performance with a unique ambidextrous wireless IR PTT button (infra-red push to transmit) that controls activation and brightness of the reticle.

The MH1 uses a shooter designed reticle which helps to maintain the weapon on a vertical plane for more accurate shooting using balancing lines at 9 & 3 o'clock and a centered red dot.

Unique functions such as a USB charging port and unheard of user interface control makes the MH1 one of the most advanced and innovative reflex sights in the world at a very affordable price. The MH1 offers the user a very different & efficient approach to battery consumption. The sight uses 2 batteries; a wall socket/

lighter USB rechargeable battery and a standard single backup CR123 battery, allowing for extended battery life and easy reachable access. This, along with our sleep mode and dual 30° motion sensors which only activates the sight when a shooting movement takes place (no accidental activation), makes the MH1 a truly ingenious sight.

The ergonomic design of the MH1 allows for ambidextrous use of the uniquely angled rear activation buttons and easy access for the control panel, even when placed directly in front of add-on optical devices i.e. magnifier or Night Vision Device (NVD).

The MH1 is built to MIL-STD 810-F and is waterproof up to 20 ft. It is equipped with MIL-STD 1913 Picatinny / Weaver mounting system assembled on the right side of the sight to avoid accidental opening.



NEW











**MH1**

**Hartman Red Dot Reflex Sight**

With its revolutionary features, the MH1 is one of the most advanced and innovative reflex sights in the world. The MH1 was created by Lt. Col. (Ret.) Mikey Hartman, founder and former 20 year commander of the IDF Marksmanship and Sharpshooting School. Hartman brings his extensive experience to improve the reflex sight technologies and meet the demands of the 21st century operator. Hartman's reflex sight (MH1) improves accuracy and reaction time, while introducing unique and innovative state of the art technology, which is only available here.

- Dual motion sensors. 30° independent motion sensors activate in shooting movement
- User adjustable sleep mode memory. Never forgets, even without power
- Rechargeable via USB port
- The only remote controlled reflex sight, via ambidextrous infrared PTT buttons
- Smart battery consumption, two separate power units. USB rechargeable battery and single CR123 battery
- Reticle flashes as a low battery warning, providing two hours notice
- Largest field of view to maximize target acquisition
- Angled ambidextrous activation buttons provide easy access with all night vision devices
- Five night & five day vision reticle brightness levels are compatible with all standard night devices
- Pressurized nitrogen filled sight eliminates fogging, moisture, dust particles entering sight
- Sleep mode and memory chip. sight turns off 10 second / 10 mins (adjustable)

→ **MH1 OPTION MODELS**

Options	Black	Tan	Green	
 	MH1	MH1-T	MH1-G	A-Type Reticle 1 Locking Lever
 	MH1-B	MH1-BT	MH1-BG	B-Type Reticle 1 Locking Lever
 	MH1-D	MH1-TD	MH1-GD	A-Type Reticle 2 Locking Levers
 	MH1-BD	MH1-BTD	MH1-BGD	B-Type Reticle 2 Locking Levers



**PTT**

**Hartman Remote Control IR PTT with Strap**

Ambidextrous infra-red PTT button can be operated from both right and left sides of the forearm grip. It activates the sight and controls the brightness levels of the reticle (10 levels: 5 for day and 5 for night). This allows the shooter to control the sight without disengaging the supporting arm from the weapon, reducing critical reaction time.

MIL-SPEC | 10 YEAR WARRANTY | NO GUNSMITHING REQUIRED

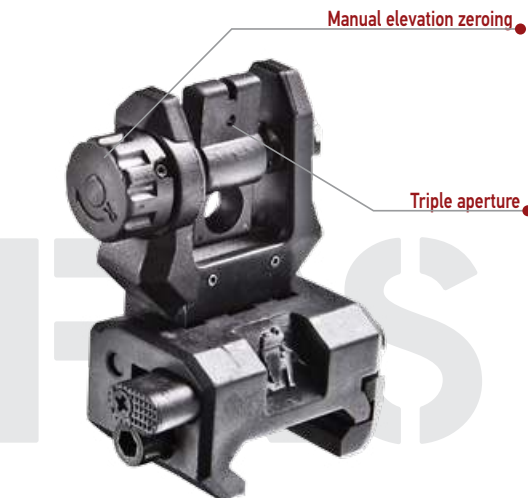
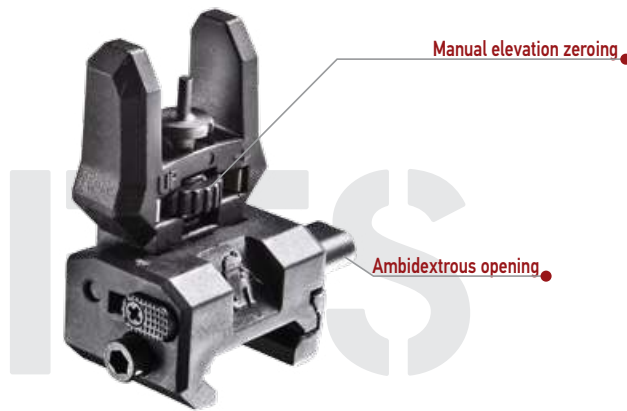
Part #: MH1  
Fits: Picatinny Rail  
Made Of: Polymer

Weight (oz): 13.2  
Height Max: 1.25"

Length Max (in): 2.12"  
Width Max (in): 1.6"

Colors:   

BEST SELLER



MIL-SPEC | 10 YEAR WARRANTY | NO GUNSMITHING REQUIRED

Part #: FFS  
Fits: Picatinny Rail  
Made Of: Poly+Steel

Weight (oz): 1  
Height Opened (in): 1.25"  
Height Closed (in): 0.5"

Length Max (in): 2.12"  
Width Max (in): 1.6"

Colors: ■

Part #: FRS  
Fits: Picatinny Rail  
Made Of: Poly+Steel

Weight (oz): 1  
Height Opened (in): 1.25"  
Height Closed (in): 0.5"

Length Max (in): 2.12"  
Width Max (in): 1.6"

Colors: ■

**FFS**  
**Front Flip-Up Sight**

Super low profile front sight features a quick adjust center post (no tools required) for elevation surrounded by two guide posts to assist in focusing the operator's eye on the target.

- No tool needed for elevation adjustment
- Elevation click adjustable from firing position
- Super low profile sights are manufactured from polymer and aluminum to reduce weight
- Spring loaded push buttons raise the sight
- The push buttons can be accessed ambidextrously
- The rugged flip up mechanism is designed to ensure constant battery action and repeatable zero
- Secure mounting to any Picatinny rail. Square center lug eliminates any movement

**FRS**  
**Rear Flip-Up Sight**

The rear sight features three-operator selectable apertures, including the standard military A2 style double peep aperture with notch sight aperture. All are click adjustable for windage.

- The large aperture is designed to be used for CQB and low light conditions, the small aperture for longer range target acquisition
- Super low profile sights are manufactured from polymer and aluminum to reduce weight
- Ambidextrous spring loaded push buttons raise the sight
- The rugged flip up mechanism is designed to ensure constant battery action and repeatable zero
- Secure mounting to any Picatinny rail. Square center lug eliminates any movement

# FLASHLIGHT LASER ACCESSORIES

07 —

FLASHLIGHT/LASER &  
ACCESSORIES



**CAA**



NEW



**TC**  
**Aluminum Tactical Led Flashlight**

- O-ring sealed - Water and shock resistant. Reflector optics protected by polycarbonate lens.
- Anodized inside and out against corrosion. Dual mode tail switch.
- Lamp Life up to 100,000 hours
- Including ballistic nylon holster

MIL-SPEC | 10 YEAR WARRANTY | NO GUNSMITHING REQUIRED

<p><b>Part #:</b> TC1  <b>Made of:</b> Aluminum  <b>Fits:</b> #PL2, #UFH3, #FGA, #PLS1</p>	<p><b>Lamp:</b> 1W Luxeon® LED  <b>Battery:</b> 1X CR-123A Lithium  <b>Run Time:</b> 80 min</p>	<p><b>Body Diameter:</b> 1"  <b>Lumens:</b> 90  <b>Total Weight (oz):</b> 3.17  <b>Length (in):</b> 3.9</p>	<p><b>Colors:</b> ■</p>
<p><b>Part #:</b> TC3  <b>Made of:</b> Aluminum  <b>Fits:</b> #PL2, #UFH3, #FGA, #PLS1</p>	<p><b>Lamp:</b> 1W Luxeon® LED  <b>Battery:</b> 1X CR-123A Lithium  <b>Run Time:</b> 160 min</p>	<p><b>Body Diameter:</b> 1"  <b>Lumens:</b> 130  <b>Total Weight (oz):</b> 4  <b>Length (in):</b> 5.1</p>	<p><b>Colors:</b> ■</p>



UFH3  
Screw Tightened



UFH3P  
Push Button Quick Release



**UFH + UFHP**

**Polymer 5 Position Picatinny Rail Light & Laser Mount**

Flashlight and laser mount, quickly locks in any of five positions for the user's comfort.

- Light or laser can be quickly repositioned for all situations
- Operator can easily access on/off button with thumb while using a vertical grip
- Locks in position at 0°, 45°, 90°, 135°, & 180°
- Available in Screw Tightened (UFH) or Push Button Quick Release (UFHP) models
- Heavy duty polymer construction

MIL-SPEC | 10 YEAR WARRANTY | NO GUNSMITHING REQUIRED

Part #: UFH/UFHP  
Fits: Picatinny Rail  
Made Of: Polymer  
Weight (oz): 2.47

**SCREW TIGHTENED**  
UFH1: 0.71" - 0.81" Diameter  
UFH2: 0.84" - 0.94" Diameter  
UFH3: 0.96" - 1.06" Diameter  
UFH4: 1.11" - 1.20" Diameter

**PUSH BUTTON QUICK RELEASE**  
UFH1P: 0.71" - 0.81" Diameter  
UFH2P: 0.84" - 0.94" Diameter  
UFH3P: 0.96" - 1.06" Diameter  
UFH4P: 1.11" - 1.20" Diameter

Colors: ■



**PLS**

**Low Profile Offset Flashlight/Laser Mount**

Offset mount positions light closer to the weapon, decreasing possibility of snagging on objects while bringing light switch closer to thumb.

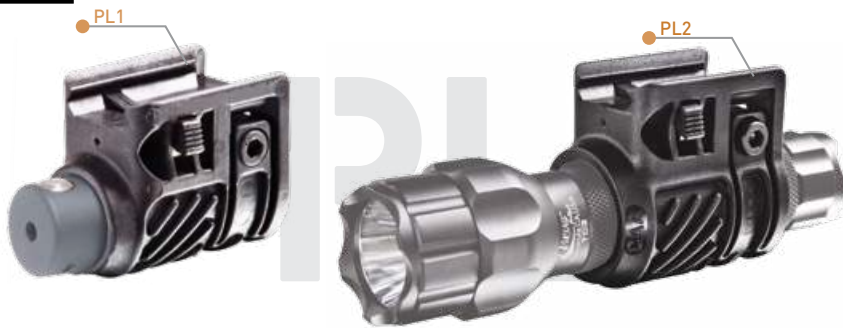
PLS1/PLS34 (1") - Screw Tighten  
 PLS1Q/PLS34Q (.75") - Quick Release

- Light/laser mounts on the side of the Picatinny rail which brings the switch closer to the operator's thumb
- 1" and .75" low profile, screw tightened or push button mounts
- New offset mounting position

MIL-SPEC | 10 YEAR WARRANTY | NO GUNSMITHING REQUIRED

<p>Part #: PLS1/PLS34                  Part #: PLS1Q/PLS34Q                  Fits: Picatinny Rail                  Made Of: Polymer</p>	<p>Weight (oz): .96 - 1.6                  Diameter (in): 1" (#PLS1/PLS1Q)                  Diameter (in): .75" (#PLS34/PLS34Q)</p>	<p>Colors: ■</p>
---	---	------------------

**BEST SELLER**



**PL**

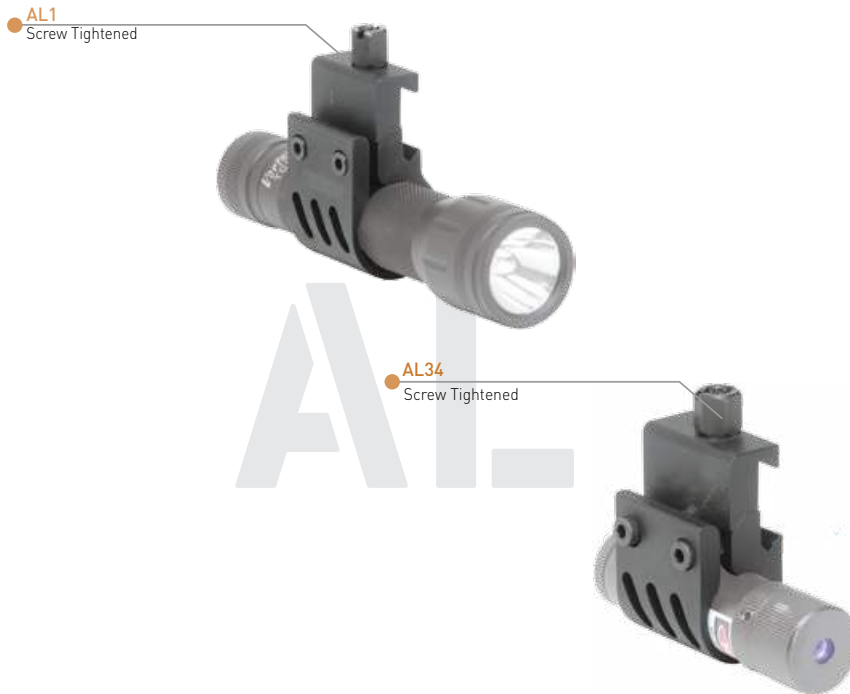
**Quick Release Light/Laser Mount**

- Light/laser mounts on the side of the Picatinny rail which brings the Combat proven design in use by military worldwide
- Available in 2 diameters: PL1 - 1" in, PL2 - .75" in
- Slides and locks securely on rail using dual spring loaded finger release rail locks
- Secure C clamp mechanism tightens around light or laser
- Battle Proven

MIL-SPEC | 10 YEAR WARRANTY | NO GUNSMITHING REQUIRED

<p>Part #: PL1/PL2                  Fits: Picatinny Rail                  Made Of: Polymer</p>	<p>Weight (oz): 1.4                  Diameter (in): 1" (PL1)                  Diameter (in): .75" (PL2)</p>	<p>Colors: ■</p>
--	---	------------------





**AL1 / AL34**

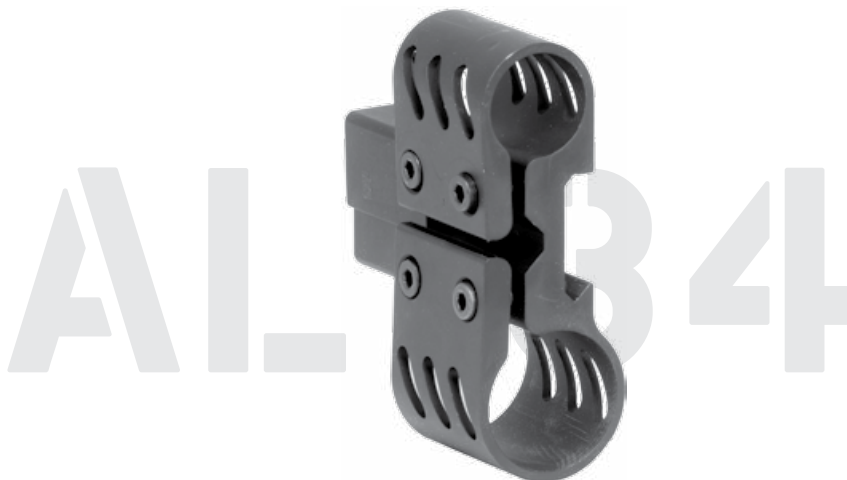
**Aluminum Offset Picatinny Rail Light & Laser Mount**

Strong aluminum mount for laser/flashlight.

- Repeatable zero increases accuracy
- Very slim offset design keeps accessories close to the weapon
- Can be mounted to the weapon in many positions: left/right/top/bottom
- Allows thumb operation of rear light switch or use of remote switch
- Tightens with captive nut. Uses flathead screw or wrench

MIL-SPEC | 10 YEAR WARRANTY | NO GUNSMITHING REQUIRED

Part #: AL1 /AL34	AL1 Diameter (in): 1"	AL34 Diameter (in): .75"	Colors: ■
Fits: Picatinny Rail	Height Max (in): 2.75"	Height Max (in): 2.375"	
Made Of: Aluminum	Length Max (in): 1.25"	Length Max (in): 1.25"	
Weight (oz): 7.76	Width Max (in): 1.2"	Width Max (in): 1.9"	



**AL134**

**Forearm Grip With Flash Adaptor**

One piece design, attach both .75" laser and 1" flashlight to your weapon.

- Repeatable zero increases accuracy
- Very slim offset design keeps accessories close to the weapon minimizing snags
- Separate locking screws for each accessory
- Allows rear thumb on/off operating or remote switch
- Tightens with captive nut. Uses flathead screw or wrench

MIL-SPEC | 10 YEAR WARRANTY | NO GUNSMITHING REQUIRED

Part #: AL134	Weight (oz): 3.5	Length Max (in): 2.5"	Colors: ■
Fits: Picatinny Rail	Diameter (in): 1" / .75"	Width Max (in): 3.25"	
Made Of: Aluminum	Height Max (in): 1.25"		

**UEM****Universal Equipment Mount**

Mounts on Picatinny rail to provide a sling swivel stud for products such as Harris® bipods and other accessories.

- Screw down clamp lock design for secure mounting to rail
- Heavy duty polymer construction with hardened steel stud

MIL-SPEC | 10 YEAR WARRANTY | NO GUNSMITHING REQUIRED

Part #: UEM  
Fits: Picatinny Rail  
Made Of: Polymer/Steel

Weight (oz): 1  
Height Max (in): 1"

Length Max (in): 2.5"  
Width Max (in): 1"

Colors: ■

**CPS****Center Pivoting Sling Mount**

Provides a sling mounting point for web slings at any position on a Picatinny rail.

- Lightweight and strong
- Screw tightened
- Captive nut uses flathead screw driver or wrench
- Accommodates sling webbing up to 1.25"

MIL-SPEC | 10 YEAR WARRANTY | NO GUNSMITHING REQUIRED

Part #: CPS  
Fits: Picatinny Rail  
Made Of: Aluminum

Weight (oz): 0.96  
Height Max (in): 1.6"

Length Max (in): 0.56"  
Width Max (in): 1.6"

Colors: ■

**SPS****Center Pivoting Sling Mount**

Provides a sling mounting point for quick detach mounts at any position on a Picatinny rail.

- Side pivoting sling mount
- Requires PBSS sling swivel (not included). SPSPBSS includes both SPS + PBSS (shown)
- Captive nut uses flathead screw driver or wrench

MIL-SPEC | 10 YEAR WARRANTY | NO GUNSMITHING REQUIRED

Part #: SPS  
Fits: Picatinny Rail  
Made Of: Aluminum

Weight (oz): 0.64  
Height Max (in): 0.75"

Length Max (in): 0.56"  
Width Max (in): 1.6"

Colors: ■

## BEST SELLER



MIL-SPEC | 10 YEAR WARRANTY | NO GUNSMITHING REQUIRED

Part #: PBSS  
Fits: Sling Mount  
Made Of: Steel

Weight (oz): 0.64  
Height Max (in): 1.38"

Length Max (in): 2"  
Width Max (in): 1.376"

Colors: ■

**PBSS****Push Button Sling Swivel**

Provides a quick release attachment for slings to CAA stocks, rails and sling mounts. (CBS, SBS, RONI®, M4S1, OPSMP, SPS, X4MS, X4MSD, and shotgun stocks)

- Push button design for quick detachment. 1.625" rugged all blued steel sling swivel. Sturdy 0.2" thick steel ring
- Accepts slings up to 1.6" without binding



MIL-SPEC | 10 YEAR WARRANTY | NO GUNSMITHING REQUIRED

Part #: OPSMP  
Fits: M16/AR15/M4  
Made Of: Aluminum

Weight (oz): 0.64  
Height Max (in): 0.75"

Length Max (in): 0.56"  
Width Max (in): 1.6"

Colors: ■

**OPSMP****One Point Quick Detach Sling Mount for M4**

Accommodates one point slings using a push button sling swivel. No tube disassembly; simply remove collapsible buttstock, slide over tube, position properly and secure. Easy and fast installation. CNC machined from aluminum with matte black finish. PBSS included with OPSMPPBSS.

- Ambidextrous design
- Easy and fast installation. No tools required
- No tube disassembly or removal, simply remove collapsible buttstock, slide over tube position properly and secure
- CNC machined from aluminum with matte black finish

## BEST SELLER



MIL-SPEC | 10 YEAR WARRANTY | NO GUNSMITHING REQUIRED

Part #: OPSM  
Fits: M16/AR15/M4  
Made Of: Aluminum

Weight (oz): 0.64  
Height Max (in): 2.125"

Length Max (in): 0.625"  
Width Max (in): 2.25"

Colors: ■

**OPSM****One Point Sling Mount for M4**

Sling mount positioned behind receiver provides a comfortable, ambidextrous balanced weapon carry.

- No tube disassembly or removal, simply remove collapsible buttstock, slide over tube position properly and secure
- Use with single point carabiner slings or sling webbing up to 1.25"
- Ambidextrous design
- Easy and fast installation. No tools required
- CNC machined from aluminum with matte black finish



OPS

MIL-SPEC | 10 YEAR WARRANTY | NO GUNSMITHING REQUIRED

**Part #:** OPS  
**Fits:** Sling Mount  
**Made Of:** Nylon

**Weight (oz):** 4.48  
**OPS Max Loop (in):** 60"

**Length Max (in):** 2"  
**Width Max (in):** 1.376"

**Colors:** ■

**OPS****One Point Sling**

Ideal for close quarters combat, allows easy movement when operating inside tight spaces. Maintains its structure and provides a comfortable carry option.

- Fully adjustable sling fits all body sizes
- Side release buckle allows for quick release if sling encounters interference with objects
- Strong metal carabiner for easy attachment
- High density bungee cord and carabiner are covered to reduce noise and wear
- Sling can be worn on back freeing hands for other tasks
- Sling easily hooks onto many mounting locations



MIL-SPEC | 10 YEAR WARRANTY | NO GUNSMITHING REQUIRED

**Part #:** TPS  
**Fits:** AR15 or Rifles  
**Made Of:** Nylon

**Weight (oz):** 4.48  
**Max Loop (in):** 2.59"

**Colors:** ■

**TPS****Three Point Sling**

Proven three-point design for carbine style M16/AR15. Sling wraps around hand guard, Velcro secured. Attaches to collapsible stock or rifle stock. TPS is specifically for AR15 carbines, and the TPSR is for rifles in general.

- Quick release buckle detaches sling from operator instantly, and also allows for easy donning with body armor
- Fully adjustable and totally ambidextrous
- Constructed from 1.5" ballistic nylon



MIL-SPEC | 3 YEAR WARRANTY | NO GUNSMITHING REQUIRED

**Part #:** CMR-201  
**Fits:** Picatinny Rail  
**Made Of:** Polmyer

**Sighting:** 50'  
**Laser Visibility:** .5 @ 50ft  
**Laser Output:** 5mW Red

**Battery:** One 1/3N  
 Lithium Battery

**Colors:** ■

**CMR-201****Crimson Trace Rail Master™ Universal Laser Sight**

Universal laser that can placed on nearly any pistols, rifles, and shotguns with M1913 Picatinny or Weaver-style Accessory.

- Fits on M1913 Picatinny or Weaver-style Accessory
- Battery life is over four hours
- Versatile and flexible

# BIPODS



08—BIPODS



**CAA**

FOR PICATINNY RAILS



**NBP/SBP**

**Bottom & Side Rail Mounting Bipod**

Improve your accuracy with these versatile bipods. Mounts onto a Picatinny rail. Ideal for snipers, sharp shooters and other missions. SBP Side rail mounting provides an even lower center of gravity and a wider stance resulting in even greater stability with all of the same features of NBP bottom rail mounting bipod.

- Strong lightweight design constructed of stainless steel and polymer is super rugged
- No external springs. The entire mechanism is encased to prevent dirt and sand infiltration
- Legs can be attached/detached with two swift movements to change out leg lengths on rocky terrain
- Legs can be folded fully forward and fully backwards; as well as locking at 90°
- Concave base mount cradles the weapon providing a lower center of gravity & includes a 3" removable Picatinny rail to attach a forward grip or other accessories
- Comfortable rubber covers on legs provides a non-slip grip
- NBP/SBP have finger grooves for quicker leg positioning
- Each leg operates separately and independently. They can be set at different heights for use on uneven terrain
- Quick release push button for leg extension with push button guard
- Serrated rubber feet for use on smooth surfaces
- Leg lengths 8"-12" or 6"-8"

MIL-SPEC | 10 YEAR WARRANTY | NO GUNSMITHING REQUIRED

<p><b>Part #:</b> NBP  <b>Fits:</b> Bottom Picatinny Rail  <b>Made Of:</b> Poly+Steel</p>	<p><b>Weight (oz):</b> 17.6  <b>Height Max (in):</b> 2"  <b>Leg Length (in):</b> 8"-12"</p>	<p><b>Length Max (in):</b> 12.5"  <b>Width Max (in):</b> 4.25"</p>	<p><b>Colors:</b> ■</p>
<p><b>Part #:</b> SBP  <b>Fits:</b> Side Picatinny Rail  <b>Made Of:</b> Poly+Steel</p>	<p><b>Weight (oz):</b> 17.6  <b>Height Max (in):</b> 2"  <b>Leg Length (in):</b> 8"-12"</p>	<p><b>Length Max (in):</b> 12.5"  <b>Width Max (in):</b> 1.25"</p>	<p><b>Colors:</b> ■</p>
<p><b>Part #:</b> NBPS  <b>Fits:</b> Bottom Picatinny Rail  <b>Made Of:</b> Poly+Steel</p>	<p><b>Weight (oz):</b> 17  <b>Height Max (in):</b> 2"  <b>Leg Length (in):</b> 6"-8"</p>	<p><b>Length Max (in):</b> 8.25"  <b>Width Max (in):</b> 4.25"</p>	<p><b>Colors:</b> ■</p>
<p><b>Part #:</b> SBPS  <b>Fits:</b> Side Picatinny Rail  <b>Made Of:</b> Poly+Steel</p>	<p><b>Weight (oz):</b> 17  <b>Height Max (in):</b> 2"  <b>Leg Length (in):</b> 6"-8"</p>	<p><b>Length Max (in):</b> 8.25"  <b>Width Max (in):</b> 1.5"</p>	<p><b>Colors:</b> ■</p>





# HOLSTERS

10—HOLSTERS



**CAA**

FOR PISTOLS



**SH**

**Multi Retention Holster**

In addition to being rugged, the lightweight SH model holster provides the following new and improved features favored by professional shooters, SWAT officers, and Spec-Ops operatives.

- 1. Rotating click retention switch.
- 2. Trigger position indicator.
- 3. For Glock Gen.4: low front profile for extractor (chambered round) indication.
- 4. Three angle positions: forward, backwards and vertical.
- 5. Enables a positive grip for a quick and smooth draw.
- 6. Paddle or belt-loop carry options.

MIL-SPEC | 10 YEAR WARRANTY | NO GUNSMITHING REQUIRED

Part #: SHGL1  
 Part #: SH1911  
 Part #: SHM&P

Eligibility: For all Glock 9mm & 40 cal.  
 Eligibility: Non railed Colt 1911, Springfield, Para Ordnance, Armscor 1911 & TCM  
 Eligibility: For all S&W M&P 9mm & .40 cal magazine

Colors: ■





OWB - Outside Waist Band | IWB - Inside Waist Band

MIL-SPEC | 10 YEAR WARRANTY | NO GUNSMITHING REQUIRED

Part #: AHSGL1  
Made Of: Polymer

Eligibility: For Glock 9mm & .40 cal  
17,18,19, 22, 23, 25, 31, 32

Colors: ■

### AHS

#### Ambidextrous Inner & Outer Holster

The AHS is a true breakthrough in polymer holster design, offering the user the most versatility in a holster. The AHS consists of an outer shell and an insert molded to fit the specific handgun. The insert is attached to the shell with screws to insure a solid and rugged holster assembly.

- 1. A rugged polymer belt clip for inner left or right use.
- 2. Paddle for a comfortable outer left or right use.
- 3. Three angle positions on the outer carry option: forward, vertical and rearward.
- 4. Enables a positive grip for quick and smooth draw.



IWB - Inside Waist Band

MIL-SPEC | 10 YEAR WARRANTY | NO GUNSMITHING REQUIRED

Part #: SHSGL1  
Made Of: Polymer

Eligibility: For Glock 9mm & .40 cal  
17,18,19, 22, 23, 25, 31, 32

Colors: ■

### SHS

#### Ambidextrous Inner Slim Holster

The SHS utilizes the same modular system as the AHS, yet offers a slimmer, low profile ambidextrous design, which provides a super comfortable carry and feel, as well as an excellent and positive pistol grip for a perfect draw.

- The SHS design provides the user with a comfortable IWB carry by using a slimmer shell and a metal belt clip, for either a left or right hand carry.
- The SHS's shape and design provides a positive grasp on the pistol grip for a quick draw and presentation.





IWB - Inside Waist Band

MIL-SPEC | 10 YEAR WARRANTY | NO GUNSMITHING REQUIRED

Part #: TMP  
Made Of: Polymer

Eligibility: Thigh modular Platform  
Holsters & Mag Pouches sold separately

Colors: ■

### TMP

#### Thigh Modular Platform - Drop Leg

The heart of the TMP is the durable and lightweight rigid structure providing a modular platform for mounting any of CAA's holsters or magazine carriers (except the SHS). The side magazine carrier mounts are removable when not being utilized.

- The Modular Thigh Platform (TMP) is compatible with most CAA holsters and magazine carriers providing a secure and comfortable drop leg carry of firearms and two magazine carriers. The TMP is totally ambidextrous for both left and right hand use or for mounting additional magazines on the user's weak side.
- The TMP is a rigid, durable and lightweight drop leg mounting platform incorporating three mounts.
- The rigid TMP is secured to a nylon covered quilted foam pad. This pad provides a comfortable all day carry. The TMP is secured to the leg with two elastic nylon straps and to the belt with one nylon web strap. All straps employ side release buckles.





SMP

MIL-SPEC | 10 YEAR WARRANTY | NO GUNSMITHING REQUIRED

Part #: SMP  
Made Of: Polymer

Eligibility: For All Glock 9mm & .40 cal magazines

Colors: ■

**SMP**

**Single Magazine Carrier**

Provide The Conversion Carry And Upward Drow

- A firm and secured carry.
- Low profile design and large side cuts expose more of the magazine, providing the user with an immediate positive grip on the magazine.
- The stronger and quicker finger and thumb grasp provided by the deeper grip results in natural pointing and magazine insertion.
- Accepts paddle and belt clips.
- Adjustable three-position cant.



DMP

MIL-SPEC | 10 YEAR WARRANTY | NO GUNSMITHING REQUIRED

Part #: DMP  
Made Of: Polymer

Eligibility: For All Glock 9mm & .40 cal magazines

Colors: ■

**DMP**

**Double Magazine Carrier**

Provide The Conversion Carry And Upward Drow

- A firm and secured carry.
- Low profile design and large side cuts expose more of the magazine, providing the user with an immediate positive grip on the magazine.
- The DMP Double Mag Pouch's large side cuts also provide quicker access from magazines in the right carrier to the magazines in left carrier.
- The stronger and quicker finger and thumb grasp provided by the deeper grip results in natural pointing and magazine insertion.
- Accepts paddle and belt clips.





**BSMP**  
**Break Away Single Magazine Carrier**

The BSMP unique open-front design, and retention system allows the user to “break” or push the magazine away from his body, even in extreme conditions or while in difficult positions, or while wearing heavy clothing and/or equipment.

- The BSMP utilizes CAA’s compact paddle belt adaptor and can be comfortably and securely carried either padded, or on the belt, and provides the adjustable 3-position angle.

Part #: BSMP  
Made Of: Polymer

Eligibility: For All Glock 9mm & .40 cal magazines  
Colors: ■



**BDMP**  
**Break Away Single Magazine Carrier**

The BDMP’s unique open-front design, and retention system allows the user to “break” or push the magazine away from his body, even in extreme conditions or while in difficult positions, or while wearing heavy clothing and/or equipment.

- The BDMP utilizes CAA’s paddle belt adaptor and can be comfortably and securely carried either padded, or on the belt, and provides the adjustable 3-position angle.

Part #: BDMP  
Made Of: Polymer

Eligibility: For All Glock 9mm & .40 cal magazines  
Colors: ■



**RBSMP**  
**Reversed Break Away Magazine Carriers**

Utilizes the same unique open-front design and retention system as the BSMP. The cap also allows the user to securely carry magazines with the magazine base in a downward position.

- Has a slimmer profile and mounts tighter to the body utilizing the belt loop or directly to the TMP/ Thigh Modular Platform. It allows the user to easily “break away” from his body, even while in difficult position, while seating, and while wearing heavy clothing and/or equipment.

Part #: RBSMP  
Made Of: Polymer

Eligibility: For All Glock 9mm & .40 cal magazines  
Colors: ■



**RBDMP**  
**Reversed Break Away Magazine Carriers**

Utilizes the same unique open-front design and retention system as the BDMP. The cap also allows the user to securely carry magazines with the magazine base in a downward position.

- Has a slimmer profile and mounts tighter to the body utilizing the belt loop or directly to the TMP/ Thigh Modular Platform. It allows the user to easily “break away” from his body, even while in difficult position, while seating, and while wearing heavy clothing and/or equipment.

Part #: RBDMP  
Made Of: Polymer

Eligibility: For All Glock 9mm & .40 cal magazines  
Colors: ■

MISI-

CLA-

NEOUS

11—MISCELLANEOUS



**CAA**

GEAR, APPAREL, & GENERAL



**MICP / MICT**

**CAA / Hartman Polo and T-Shirt**

A polo shirt and t-shirt with both CAA & Hartman logos printed on the front, and Micro Roni with MH1 on back.

- 100% Cotton.
- Gildan® Heavy Cotton.
- Designed by CAA™.
- Printed in USA.

Part #: MICP  
Part #: MICT  
Made Of: Cotton

Eligibility: Small – XXXLarge

Colors: ■

**TS**

**Safety Rods**

Yellow safety sticks for firearm chambers.

- Available for 9mm, .223/5.56 and 7.62 x 39.
- Bright visible yellow color.



Part #: TS556  
Part #: TS762  
Part #: TS9  
Made Of: Polymer

Eligibility: 9mm, .223 / 5.56, and 7.62 x 39

Colors: ■

KEYC01



KEYC02



KEYC03



**KEYC01/KEYC02/KEYC03**

**RONI, Micro RONI, & Hartman Keychain**

RONI platform, Micro RONI platform, and MH1 engraved in keychain

- This is the official keychain of the original RONI Pistol-Carbine Conversion kit, the Micro RONI Pistol-Carbine Conversion kit, and the Hartman MH1 reflex optic.



PATCH



**PATC01/PATH01**

**Logo Patches**

CAA & Hartman PVC patch

- This is the official patch of CAA™ Gear Up and Hartman Optics. 3" tall x 2" wide PVC patch

Part #: KEYC01  
Part #: KEYC01  
Part #: KEYC01  
Made Of: N/A

Eligibility: N/A  
Colors: ■

Part #: PATC01  
Part #: PATH01  
Made Of: PVC

Eligibility: Can be placed anywhere with velcro surface  
Colors: ■



Part #: CCAP1  
 Part #: CCAP2  
 Part #: HCAP1  
 Part #: HCAP2

Made Of: Polyester, Cotton, Spandex  
 Eligibility: CCAP1/HCAP2/HCAP2: Small - Medium,  
 Medium - Large. CCAP2: OSFA

Colors: ■ ■ ■ ■

**CCAP1/CCAP2/HCAP1/HCAP2**

**CAA and Hartman Caps**

CAA™ & Hartman Logo Cap in Flexfit Wooly Combed.

- 63% Polyester / 34% Cotton / 3% P.U. Spandex.
- CCAP1 is black logo cap, CCAP2 is camo logo cap.
- Designed by CAA™.
- Printed in USA.



Part #: TBBP  
 Made Of: Polyester

Colors: ■

**TBBP**

**Backpack + Ballistic Plate**

Tactical backpack included with a ballastic panel. Ideal for soldiers and civilians included.

- Polyester.
- Tactical Backpack
- Holds magazines for pistols.
- Micro RONI platform fits inside perfectly.
- Velcro surface inside backpack.



**PDG17/PDS**  
**Polymer Demo Gun & Stand**

A polymer demonstration Glock 17 and stand. Ideally for Dealers

- Polymer Demo Glock 17.
- Polymer Demo Stand for plastic Glock 17.
- When both are put together with Micro RONI or RONI platforms, it can be used a demonstration piece for dealers or consumers.

Part #: PDG17  
 Part #: PDS  
 Made Of: Polymer

Eligibility: Fits Micro RONI & RONI platforms (Glock 17 only)  
 Colors: ■ ■



**MR-ROLL1/MR-ROLL2**

**Roll Up**

Roll up banners for Micro RONI

- 10 foot banner on Micro RONI.
- Key points on Micro RONI.
- Great platform for dealers.

Part #: MRROLL1  
 Part #: MRROLL2  
 Made Of: N/A

Eligibility: N/A  
 Colors: ■ ■





**CAA**

[www.caagearup.com](http://www.caagearup.com)  
[infousa@caagearup.com](mailto:infousa@caagearup.com) | 1 (754) 205-3585